

# VOR S65-247-33



## Description

**S65-247-33:** Dual VOR provides optimum impedance match over the bandwidth, while maintaining omni-directional radiation patterns. A matching balun is internally incorporated. Currently used for tail-fin installations in EMB-170 and EMB-190 Aircraft.

## Federal & Military Certifications:

TCA/DO-160D, TSO'S C36e and C40c.

## Specifications

### Electrical

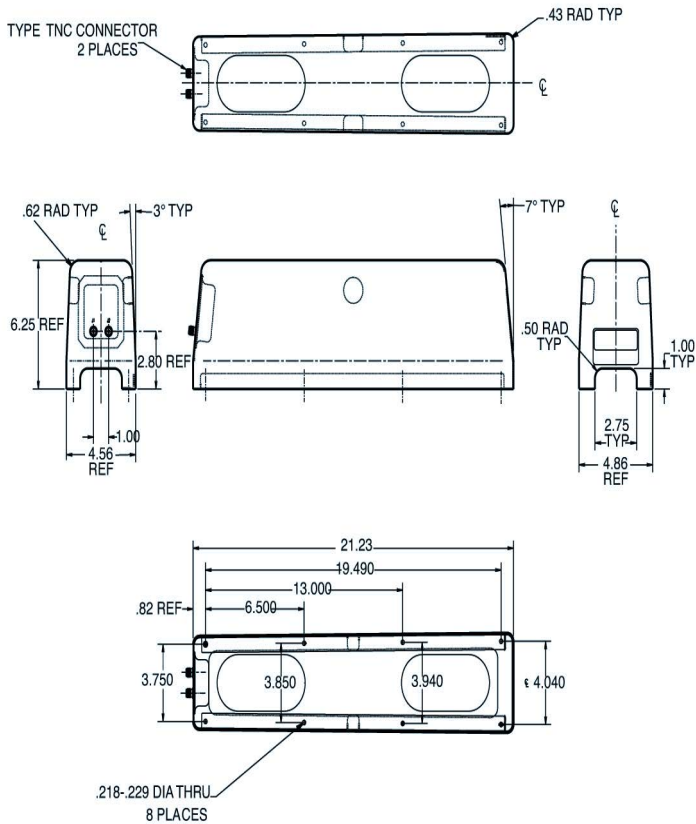
Frequency	108-118 MHz
VSWR	≤5.0:1
Polarization	Horizontal
Patterns	Omnidirectional in Azimuth
Impedance	50 Ω

### Mechanical

Weight	3.0 lbs.
Height	6.25 in.
Length	21.23 in.
Width	4.86 in.
Material	Aluminum and Epoxy Fiberglass
Finish	Gray Primer
Connector	TNC x2

### Environmental

Temperature	-55°C (-67°F) to +85°C (+185°F)
Altitude	50,000 ft.



Please Note: For REFERENCE ONLY  
Contact Sensor Systems for latest drawing



A HEICO COMPANY

Website: [www.sensorantennas.com](http://www.sensorantennas.com)

Phone: 818-341-5366