

C-Band S65-5366-251



Description

S65-5366-251: Designed for telemetry and beacon missile and target drone applications, this conformal C-band Command and Control Antenna was developed for the Navy and is currently operational on several aerial targets. Antenna provides omni-directional coverage with a minimum gain of +1 dBic at zenith. The antenna housing is machined from aluminum and the O.M.L. can be modified to meet a specific requirement. The antenna is normally furnished with a right angle "SMA" connector with other connectors available as options.

Federal & Military Certifications: MIL-E-5400, MIL-C-5541, MIL-STD-810.

Specifications

Electrical

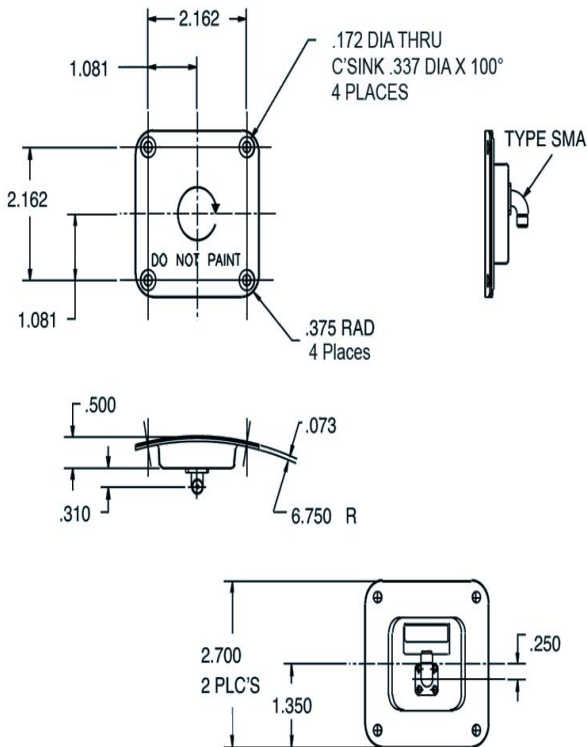
Frequency	4.4 to 4.8 GHz
VSWR	≤1.5:1
Polarization	RHCP
Impedance	50 Ω
Axial Ratio	<4dB @ Zenith
Gain Coverage (min)	-1.0 dBic 0° ≤ 0 ≤ 75°
	-2.5 dBic 75° ≤ 0 ≤ 80°
	-4.5 dBic 80° ≤ 0 ≤ 85°
	-7.5 dBic 0=90° @ Horizon
Power Handling	7 Watts peak

Mechanical

Weight	3 oz.
Height	Flush
Length	2.700 in.
Width	2.700 in.
Material	6061-T6 Aluminum / Teflon
Finish	Iridite per MIL-DTL-5541
Connector	"SMA" Female

Environmental

Temperature	-62°C (-80°F) to +95°C (+203°F)
Altitude	-1,500 to 70,000 ft.



Please Note: For REFERENCE ONLY
Contact Sensor Systems for latest drawing



A HEICO COMPANY

Website: www.sensorantennas.com

Phone: 818-341-5366