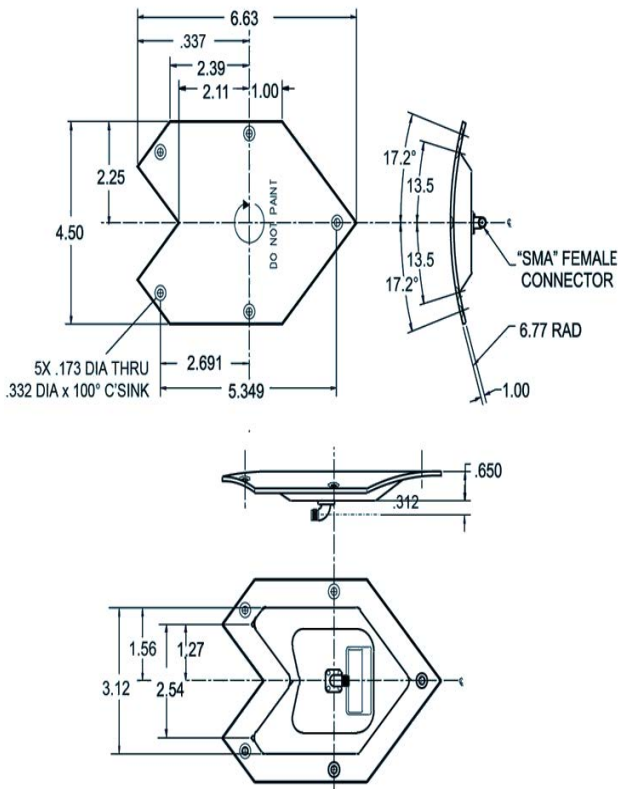


L-Band S65-5366-270



Please Note: For REFERENCE ONLY
Contact Sensor Systems for latest drawing

Description

S65-5366-270: This conformal L-Band Antenna is designed to obtain the lowest possible radar cross section. This antenna provides omni-directional coverage. The antenna housing is machined from aluminum and the O.M.L. of the antenna may be changed to meet specific requirements. The antenna is normally furnished with a right angle SMA connector but other connectors are available as options.

Federal & Military Certifications: MIL-DTL-5541, MIL-E-5400, MIL-STD-810.

Specifications

Electrical

Frequency	1430-1530 MHz
VSWR	≤2.0:1
Polarization	RHCP
Impedance	50 Ω
Axial Ratio	≤4dB @ Zenith
Gain Coverage (min)	-1.0 dBic 0° ≤ 0 ≤ 75°
	-2.5 dBic 75° ≤ 0 ≤ 80°
	-4.5 dBic 80° ≤ 0 ≤ 85°
	-7.5 dBic 0=90° @ Horizon

Power Handling 2 Watts

Mechanical

Weight	8 oz.
Height	Conformal
Length	6.63 in.
Width	4.50 in.
Material	6061-T6 Aluminum Alloy / Teflon Glass
Finish	Iridite per MIL-DTL-5541
Connector	"SMA" Female

Environmental

Temperature	-62°C (-80°F) to +95°C (+203°F)
Altitude	-1,500 to 70,000 ft.



A HEICO COMPANY

Website: www.sensorantennas.com

Phone: 818-341-5366