

Telemetry S65-5366-271



Description

S65-5366-271: This conformal C-Band Antenna is designed to obtain the lowest possible radar cross section. This antenna provides omni-directional coverage with a minimum gain of 3 dBic at zenith. The antenna housing is machined from aluminum and the O.M.L. of the antenna can be modified to meet a specific requirement. The antenna is normally furnished with a right angle "SMA" connector with other connectors available as options.

Federal & Military Certifications: MIL-STD-810, MIL-E-5400, MIL-DTL-5541

Specifications

Electrical

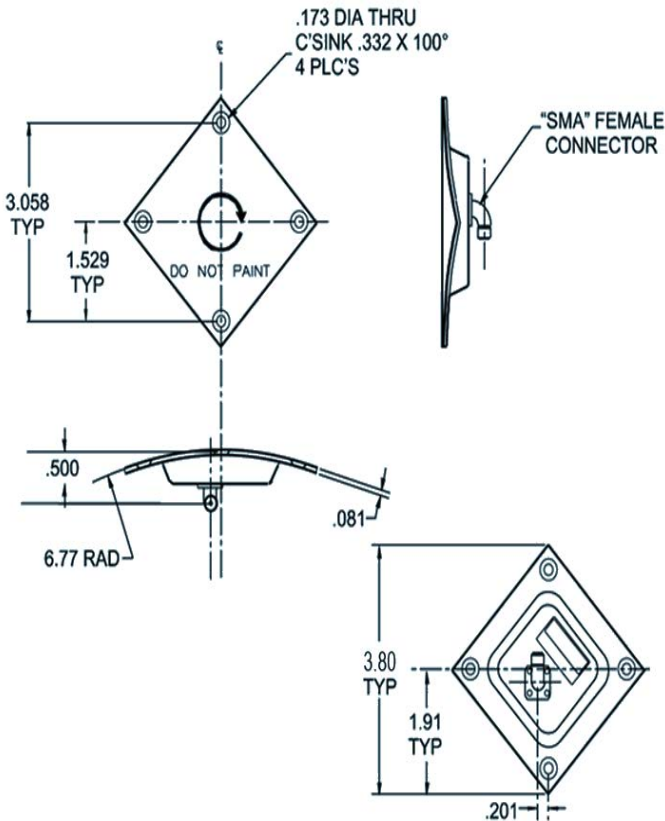
Frequency	4.4 to 4.8 GHz
VSWR	≤2.0:1
Polarization	RHCP
Impedance	50 Ω
Axial Ratio	< 4dB @ Zenith
Gain Coverage (min)	-1.0 dBic 0° ≤ 0 ≤ 75°
	-2.5 dBic 75° ≤ 0 ≤ 80°
	-4.5 dBic 80° ≤ 0 ≤ 85°
	-7.5 dBic 0 ≤ 90° @ Horizon
Power Handling	7 Watts peak

Mechanical

Weight	2 oz.
Height	Conformal
Length	3.8 in.
Width	3.77 in.
Material	6061-T6 Aluminum Alloy / Teflon
Finish	Iridite per MIL-DTL-5541
Connector	"SMA" Female

Environmental

Temperature	-62°C (-80°F) to +95°C (+203°F)
Altitude	-1,500 to 70,000 ft.



Please Note: For REFERENCE ONLY
Contact Sensor Systems for latest drawing



A HEICO COMPANY

Website: www.sensorantennas.com

Phone: 818-341-5366