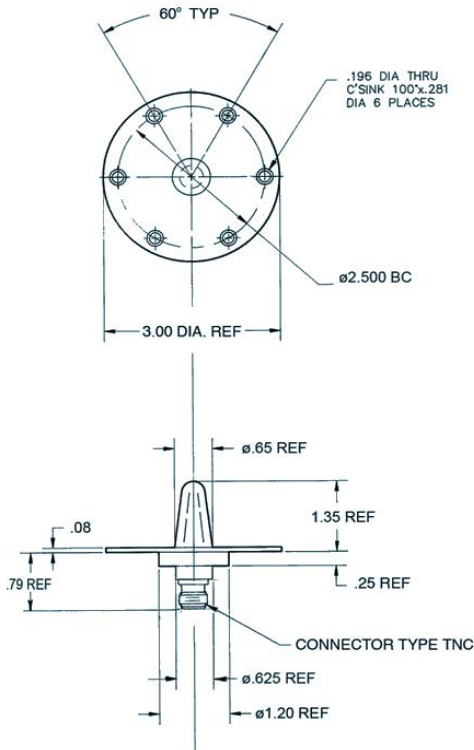


# Telemetry **S65-5366-38**



Please Note: For REFERENCE ONLY  
Contact Sensor Systems for latest drawing

## Description

**S65-5366-38:** Small Teflon C/S-band antenna with an operation range from 3 to 6 GHz. Features a 3in circular aluminum base plate with 6 mounting holes. Designed for telemetry and data link applications. The di-electrically loaded quarter-wave monopole design of the antenna provides excellent electrical performance. Suitable for low and high-speed aircraft. The basic antenna may be customized to meet customer's specific requirements.

**Federal & Military Certifications:** MIL-E-5400 and MIL-E-5272.

## Specifications

### Electrical

Frequency	3.0 - 6.0 GHz
VSWR	≤2.0:1
Gain	± 3 dBi
Polarization	Vertical
Pattern	Omnidirectional
Impedance	50 Ω
Power	100 Watts continuous

### Mechanical

Weight	2 oz.
Material	6061-T6 Aluminum Alloy / Teflon
Finish	Skydrol Resistant Enamel
Connector	TNC Female

### Environmental

Temperature	-54°C (-65°F) to +121°C (+250°F)
Altitude	70,000 ft.



A HEICO COMPANY

Website: [www.sensorantennas.com](http://www.sensorantennas.com)

Phone: 818-341-5366