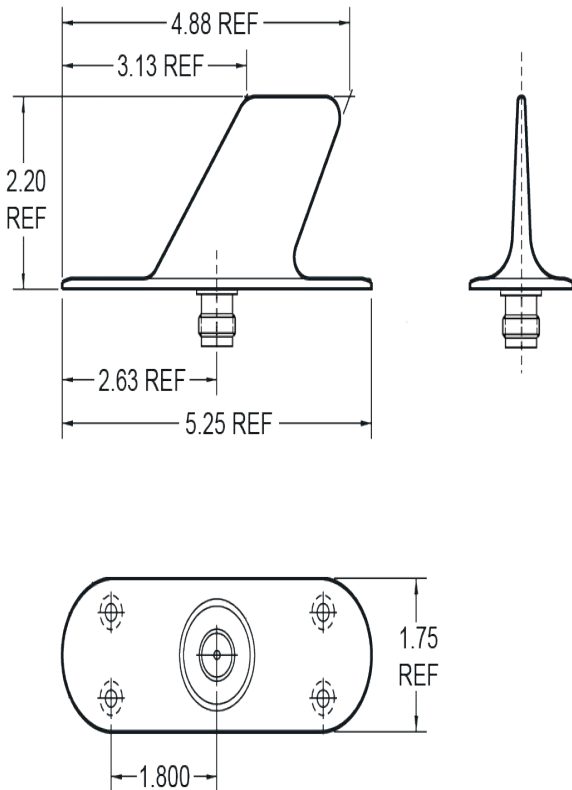


L-Band S65-5366-4L



Please Note: For REFERENCE ONLY
Contact Sensor Systems for latest drawing

Description

S65-5366-4L: Rugged and highly efficient L-Band antenna. The antenna is constructed from an all-metal aluminum casting with a 4-hole bolt pattern and a C connector.

Federal & Military Certifications:

FAA TSO C66a and C74, DO-160, MIL-HDBK-5400 and MIL-STD-810D.

Specifications

Electrical

Frequency	1435 - 1535 MHz
VSWR	≤ 1.5:1
Polarization	Vertical
Pattern	1/4 Wave Monopole
Impedance	50 Ω
Power	250 Watts Continuous 2000 Watts Peak

Mechanical

Weight	4 oz.
Height	2.20 in.
Length	5.25 in.
Width	1.75 in.
Material	A-356 Aluminum Alloy
Finish	Skydrol Resistant Polyurethane Enamel
Connector	C Female

Environmental

Temperature (Operating)	-55°C (-67°F) to +85°C (+185°F)
Altitude	-2000 ft. to 50,000 ft.



A HEICO COMPANY

Website: www.sensorantennas.com

Phone: 818-341-5366