

MLS S65-5366-4M



Description

S65-5366-4M: All metal, vertically polarized antenna operating at the 5.0 to 5.1 GHz frequency range with a maximum VSWR of 2.0:1.

The antenna is designed for ARINC 727 and can be used with GPS/ILS/MLS Multi Mode Receivers (MMR).

Federal & Military Certifications: FAA TSO C104, DO-160B, MIL-A-7772B, MIL-E-5400T, and ARINC 727.

Specifications

Electrical

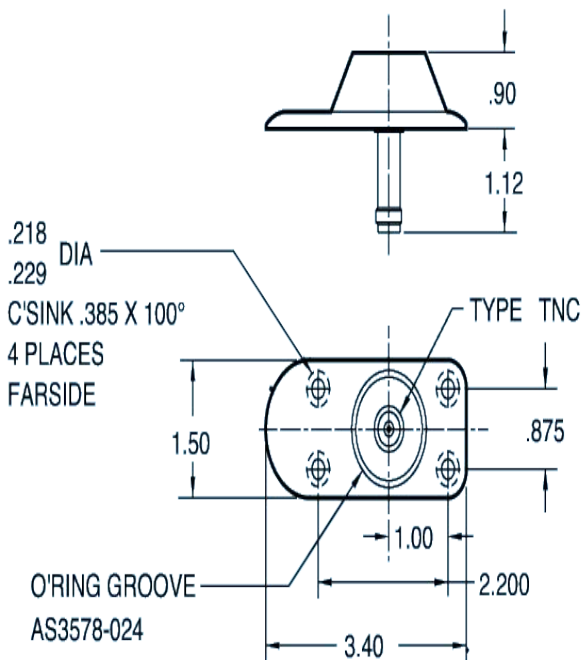
Frequency	5.0 - 5.1 GHz
VSWR	≤2.5:1
Gain	+3 dBi
Polarization	Vertical
Pattern	Omnidirectional in Azimuth Consinusoidal in Elevation
Impedance	50 Ω
Power	1 KW Peak

Mechanical

Weight	1.9 oz.
Height	.90 in.
Length	3.40 in.
Width	1.50 in.
Finish	Skydrol Resistant Polyurethane Enamel
Connector	TNC Female

Environmental

Temperature (Operating)	-55°C (-67°F) to +85°C (+185°F)
Altitude	60,000 ft.



Please Note: For REFERENCE ONLY
Contact Sensor Systems for latest drawing



A HEICO COMPANY

Website: www.sensorantennas.com

Phone: 818-341-5366