

# Radio Phone **S65-5366-715**



## Description

**S65-5366-715:** Small blade antenna is designed to support present and future 3G/UMTS Telecommunications plans. The antenna supports on-aircraft picocell functionality as well as external air-to-ground service. The four-hole baseplate design provides a common installation for any aircraft application.

## Federal & Military Certifications:

MIL-HDBK-5400, MIL-STD-810, MIL-E-5272C, MIL-A-7772B, RTCA / DO-160C/E, TSO C66c, TSO C74c.

## Specifications

### Electrical

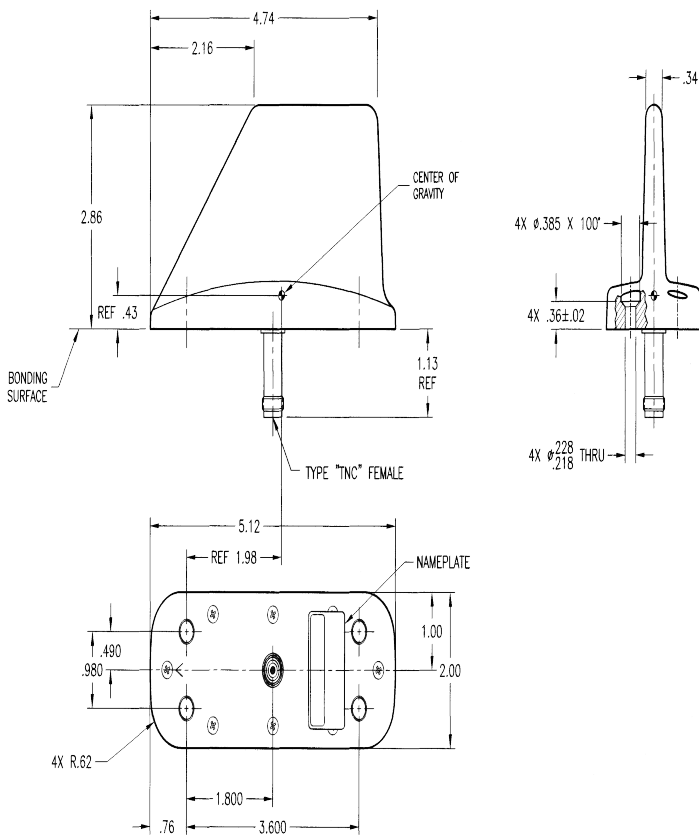
|              |  |
|--------------|--|
| Frequency    | 800-2650 MHz                           |
| VSWR         | ≤ 2.0:1                                |
| Polarization | Vertical                               |
| Impedance    | 50 Ω                                   |
| Power        | 1000 Watts Peak<br>50 Watts Continuous |

### Mechanical

|           |                                       |
|-----------|---------------------------------------|
| Weight    | 7.0 oz.                               |
| Height    | 2.86 in.                              |
| Length    | 5.12 in.                              |
| Material  | 6061-T6 Aluminum / Thermoset Plastic  |
| Finish    | Skydrol Resistant Polyurethane Enamel |
| Connector | TNC Female                            |

### Environmental

|                         |                                 |
|-------------------------|---------------------------------|
| Temperature (Operating) | -54°C (-65°F) to +85°C (+185°F) |
| Altitude                | 70,000 ft.                      |



Please Note: For REFERENCE ONLY  
Contact Sensor Systems for latest drawing



A HEICO COMPANY

Website: [www.sensorantennas.com](http://www.sensorantennas.com)

Phone: 818-341-5366