

# TCAS II S65-5366-735



## Description

**S65-5366-735:** Highly-efficient omnidirectional TCAS antenna designed for use as a lower antenna. Rugged, all-metal aluminum casting featuring DC-grounding for lightning protection. Mounting bolt pattern matches the spacing of directional TCAS II antennas in the S72-1735 series. Universal design suitable for all aircraft, military, commercial and general aviation.

Optional radius adapters are available for this antenna for various fuselage diameters, making this antenna truly universal. See OPTIONS below.

**FEDERAL & MILITARY SPECS:** TSO -C119, ARING 735, DO-160D/G, DO-185, MIL-HDBK-5400H, SAEARP5416, and MIL-STD-810D, Boeing D6-81926(G).

## OPTIONAL RADIUS ADAPTERS:

Machined from 6061-T6 aluminum alloy with 3.487 I.D. O-ring.

**S72-173526-40:** 40" radius. Saab 340, Dash 7/8, ATR-42, Short 360, Metro III, Brazila, Bandeirante.

**S72-173526-70:** 70" radius. DC-9, MD-80/87, B-707, B-727, B-737, B-757.

**S72-173526-110:** 110" radius. B-747, B-767, L-1011, DC-10, MD-11, A-300/310/320.

## Specifications

### Electrical

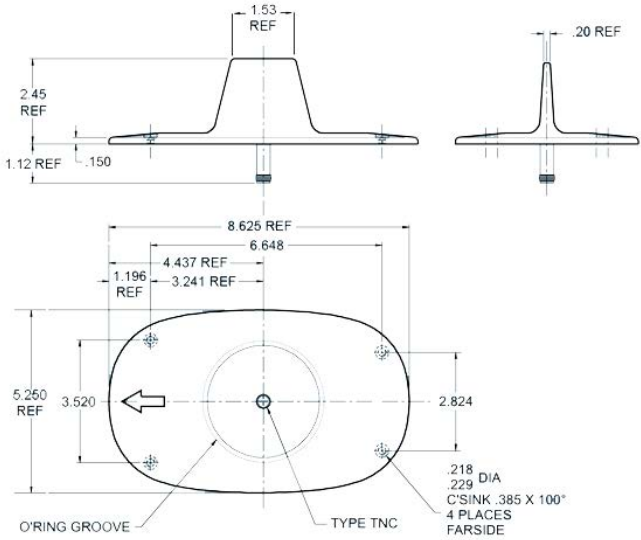
Frequency	1030-1090 MHz
VSWR	1.50:1
Pattern	Omnidirectional in Azimuth Cosinusoidal in Elevation
Polarization	Vertical
Impedance	50 Ω
Gain	+3 dBi
Power	3,000 Watts Peak, 250 Watts CW

### Mechanical

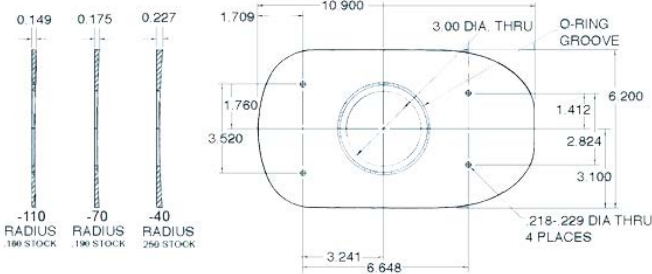
Weight	16 oz.
Height	2.45 in
Material	A-356 Aluminum Alloy
Finish	Skydrol Resistant Polyurethane Enamel
Connector	TNC Female

### Environmental

Temperature	-55°C (-67°F) to +85°C (+185°F)
Altitude	50,000 ft.



RADIUS ADAPTERS: S72-173526-40, S72-173526-70, S72-173526-110



Please Note: For REFERENCE ONLY  
Contact Sensor Systems for latest drawing



A HEICO COMPANY

Website: [www.sensorantennas.com](http://www.sensorantennas.com)

Phone: 818-341-5366