

Radio Phone **S65-5366-850L**



Description

S65-5366-850L: Rugged, all metal, and high efficiency antenna. The antenna is hermetically sealed. The antenna features a 4-hole bolt pattern.

The antenna is ideal for commercial, military and general aviation. May be used with radio telephone, airphone and cellular systems.

Federal & Military Certifications: FAA TSO C66b and C74c, DO-160A, MIL-A-25708A, MIL-A-25730B, MIL-A-7772B, MIL-E-5272C, MIL-E-C-5400H, and MIL-STD-810B.

Specifications

Electrical

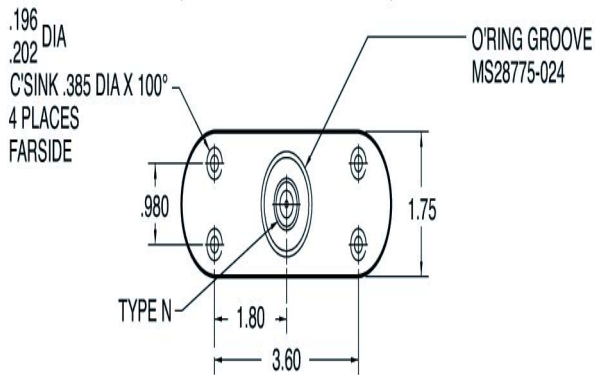
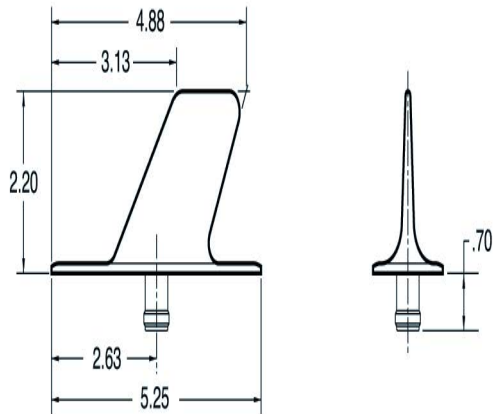
Frequency	830-890 MHz
VSWR	≤1.60:1
Polarization	Vertical
Patterns	Omnidirectional in Azimuth Cosinusoidal in Elavation
Impedance	50 Ω
Power	1 Watts Continuous

Mechanical

Weight	4 oz.
Height	2.20 in.
Length	5.25 in.
Width	1.75 in.
Material	A-356 Aluminum Alloy
Finish	Skydrol Resistant Epoxy Enamel
Connector	N Female

Environmental

Temperature	-73°C (-100°F) to +94°C (+200°F)
Altitude	Up to 70,000 ft.



Please Note: For REFERENCE ONLY
Contact Sensor Systems for latest drawing



A HEICO COMPANY

Website: www.sensorantennas.com

Phone: 818-341-5366