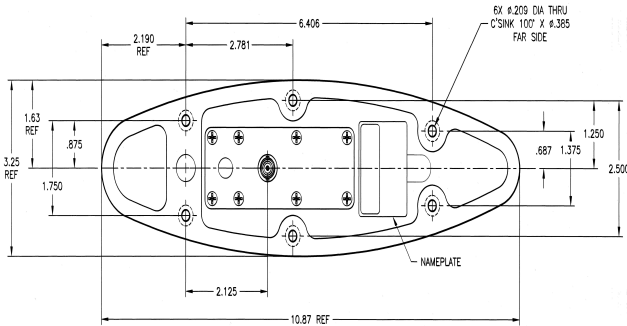
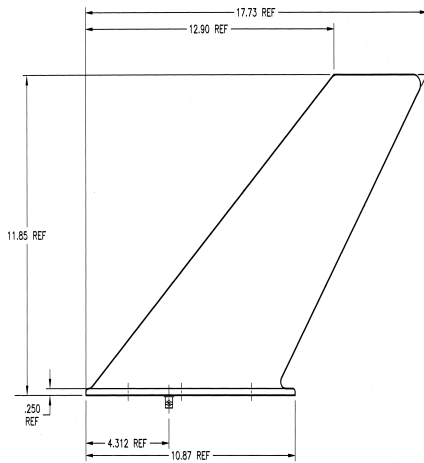


VHF S65-8280-10



Please Note: For REFERENCE ONLY
Contact Sensor Systems for latest drawing

Description

S65-8280-10: Broadband VHF blade antenna with a frequency range of 116 to 156 MHz. The antenna is an all-metal construction with DC grounding to eliminate "P" static and protect from lightning. The antenna is hermetically sealed.

This antenna is interchangeable with Collins 37R-2, VC10-126, DMC 60 and a variety of other VHF antennas.

Federal & Military Certifications: FAA TSO C-37b and C38b, DO-160D/G, MIL-A-6271A, MIL-A-7772B (ASG), MIL-A-9094C, MIL-E-5272H, MIL-HDBK-5400, MIL-STD-810B/D and SAE ARP5416.

Specifications

Electrical

Frequency	116-156 MHz
VSWR	≤ 2.0:1
Polarization	Vertical
Pattern	Omnidirectional in Azimuth Cosinusoidal in Elevation
Impedance	50 Ω
Power	250 Watts

Mechanical

Weight	3.3 lbs.
Height	11.80 in.
Length	10.87 in.
Width	3.25 in.
Material	A-356 T6 Aluminum Alloy
Finish	Skydrol Resistant Polyurethane Enamel
Connector	BNC Female

Environmental

Temperature	-53°C (-64°F) to +95°C (+203°F)
Altitude	80,000 ft.



A HEICO COMPANY

Website: www.sensorantennas.com

Phone: 818-341-5366