

# VHF/UHF/L-Band AM/FM S65-8282-123



## Description

**S65-8282-123:** For speeds up to Mach 1.0 with low drag. Designed for use with AN/ARC-182 or similar VHF/AM/FM/UHF/L-Band transmitters at 30-88/108-174/225-400/960-1220 MHz. Provides low VSWR over operating band. The antenna operates at 100 watts CW from 30-88 MHz, 108-174 MHz and 225-400 Mhz. Six-hole bolt pattern. Interchangeable with Collins 37R-2U or similar. Hermetically sealed. Designed for universal mounting. Ideal for antenna replacement in existing systems where a multi frequency antenna is required.

**NSN:** 5985-01-579-6711

**FEDERAL & MILITARY SPECS:** DO-16 0A, MIL-A-7772, MIL-E-5272, MIL-E-5400, TSO-C37d, TSO-C38d, TSO-C74c, C66b, TSO-C59, TSO-C112.

## Specifications

### Electrical

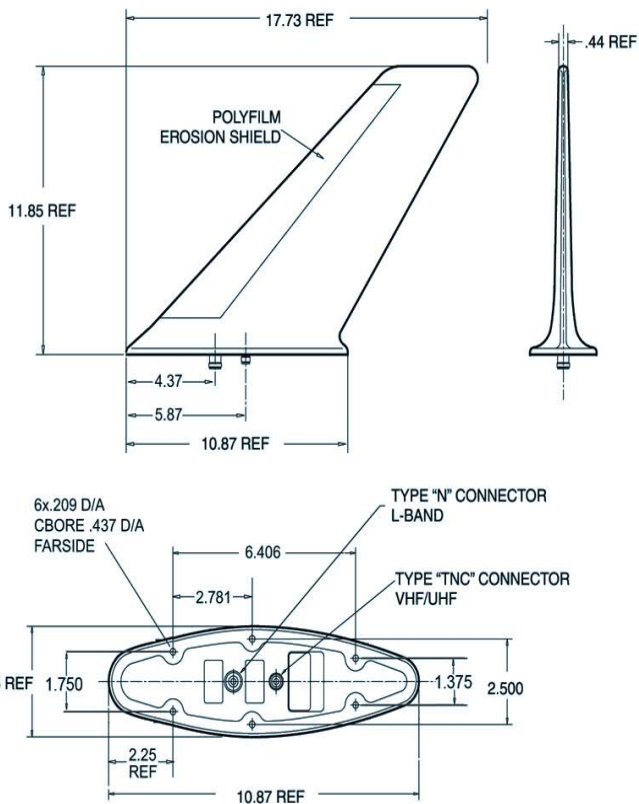
Frequency	VHF/FM: 30-88 MHz VHF/AM: 108-174 MHz UHF: 225-400 MHZ L-Band: 960-1220 MHz
VSWR	VHF/FM: 2.6:1 VHF/AM: 2.3:1 UHF: 2.3:1 L-Band: 2.0:1
Pattern	Omni/Az ; Cos/EL
Polarization	Vertical
Impedance	50 Ω
Power	VHF/FM: 100 Watts VHF/AM: 100 Watts UHF: 100 Watts L-Band: 4000 Watt/ peak

### Mechanical

Weight	2.5 lbs.
Height	11.85 in
Material	A356 Aluminum Alloy/ Fiber Glass
Finish	Skydrol Resistant Enamel
Connector	VHF/FM: TNC VHF/AM: TNC UHF: TNC L-Band: N
Drag	1.0 lb. Mach .85 @ 35,000 ft.

### Environmental

Temperature	-55°C (-67°F) to +85°C (+185°F)
Altitude	60,000 ft.



Please Note: For REFERENCE ONLY  
Contact Sensor Systems for latest drawing



A HEICO COMPANY

Website: [www.sensorantennas.com](http://www.sensorantennas.com)

Phone: 818-341-5366