

VHF/UHF S65-8282-34



Description

S65-8282-34: VHF/AM/FM/UHF all metal antenna provides low VSWR over an operating band of 30-88, 108-174 and 225-400 MHz. It is designed for speeds up to Mach 2.0 with low drag. Its 6 hole bolt pattern is designed for universal mounting and is interchangeable with a Collins 37R-2U. This antenna is ideal for antenna replacement in existing systems that requires a dual frequency antenna capable of handling 40 Watts is required.

NSN: 5985-01-423-7202

Federal & Military Certifications: FAA TSO-C37b,C38b and C59, MIL-A-7772 (ASG), MIL-E-5272H and MIL-E-5400.

Specifications

Electrical

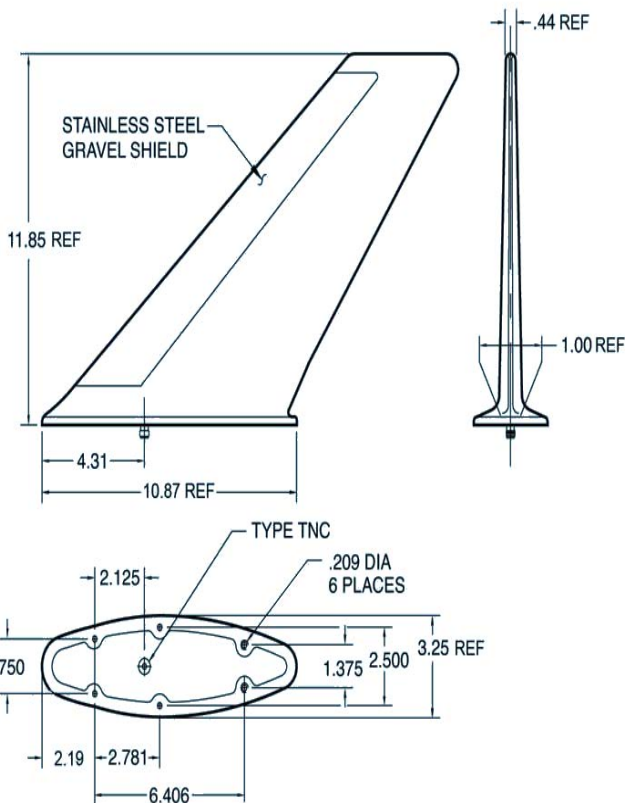
Frequency	30-88 MHz (VHF/FM) 108-174 MHz (VHF/AM) 225-400 MHz (UHF)
VSWR	≤ 2.3:1 (VHF/AM and UHF) ≤ 2.6: 1 (VHF/FM)
Polarization	Vertical
Gain	-22 dBi (30-40 MHz), -23 dBi (46-60 MHz) -14 dBi (70-88 MHz), -8dBi (108-120 MHz) -4 dBi (120-174 MHz), 0 dBi min. (225-400 MHz)
Pattern	Omni/AZ; Cos/EL
Impedance	50Ω
Power	40 Watts (VHF) 100 Watts (UHF)
Lightning Protection	DC Grounded

Mechanical

Weight	2.5 lbs.
Height	11.85 in.
Length	10.87 in.
Width	3.30 in.
Material	A356-T61 Aluminum Alloy / Fiberglass
Finish	Skydrol Resistant Polyurethane Enamel
Connector	TNC Female
Drag	1.0 lbs. Mach @ .85 @ 35,000 ft.

Environmental

Temperature	-54°C (-65°F) to +85°C (+185°F)
Altitude	55,000 ft.



Please Note: For REFERENCE ONLY
Contact Sensor Systems for latest drawing



A HEICO COMPANY

Website: www.sensorantennas.com

Phone: 818-341-5366