



### Description

**S65-8282-51:** For speeds up to Mach 2.0 with low drag. Designed for use with Collins AN/ARC-182 or similar VHF/AM/FM/UHF transmitter at 30-88/108-174/225-400 MHz. Provides low VSWR over operating band. Six-hole bolt pattern. Interchangeable with Collins 37R-2U. Hermetically sealed. Designed for universal mounting. Ideal for antenna replacement in existing systems where a dual frequency antenna capable of handling 40 watts is required. Stainless steel gravel shield.

**Federal & Military Certifications:** FAA TSO C37b, C38b and C59. MIL-STD-810, MIL-E-5400, MIL-A-7772 (ASG), MIL-A-9094, MIL-B-5087.

### Specifications

#### Environmental

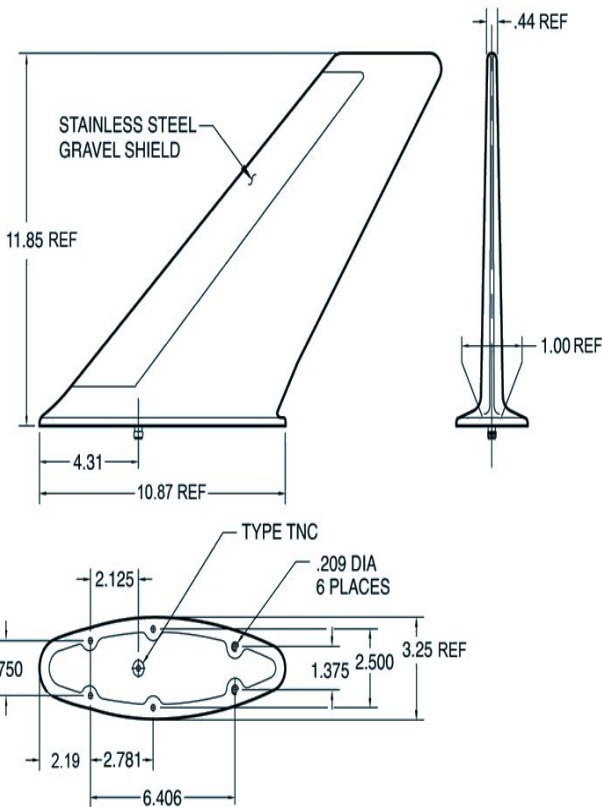
Frequency	30-88 MHz (VHF/FM) 108-174 MHz (VHF/AM) 225-400 MHz (UHF)
VSWR	2.6:1 (VHF/FM) 2.3:1 (VHF/AM)(UHF)
Pattern	Omni/Az ; Cos/EI
Polarization	Vertical
Impedance	50Ω
Power	100 Watts
Lightning Protection	DC Grounded

#### Mechanical

Weight	2.5 lb.
Height	11.85 in.
Material	A356-T61 Alum. Alloy / Fiberglass/ ST Steel
Finish	Skydrol-Resistant Enamel
Connector	TNC Female
Drag	Mack .85@, 35,000 ft, 1.0 lbs.

#### Environmental

Temperature	-54°C (-65°F) to +71°C (+160°F)
Altitude	60,000 ft.



Please Note: For REFERENCE ONLY  
Contact Sensor Systems for latest drawing



A HEICO COMPANY

Website: [www.sensorantennas.com](http://www.sensorantennas.com)

Phone: 818-341-5366