

UHF S65-8282-650



Description

S65-8282-650: Wide band Network Waveform Antenna, 225-2500 MHz.

Wide band antenna designed for JTRS, Wireless LAN, UHF, and L-band applications. The antenna design provides a 0 dB or greater peak gain across the bandwidth.

DC-grounded, hermetically-sealed. The molded radome provides enhanced protection against rain, ice, and lightning strikes.

FEDERAL & MILITARY SPECS: MIL-STD-810, MIL-HDBK-5400, MIL-E-5272, MIL-A-7772, MIL-A-6271, MIL-A-9094.

Specifications

Electrical

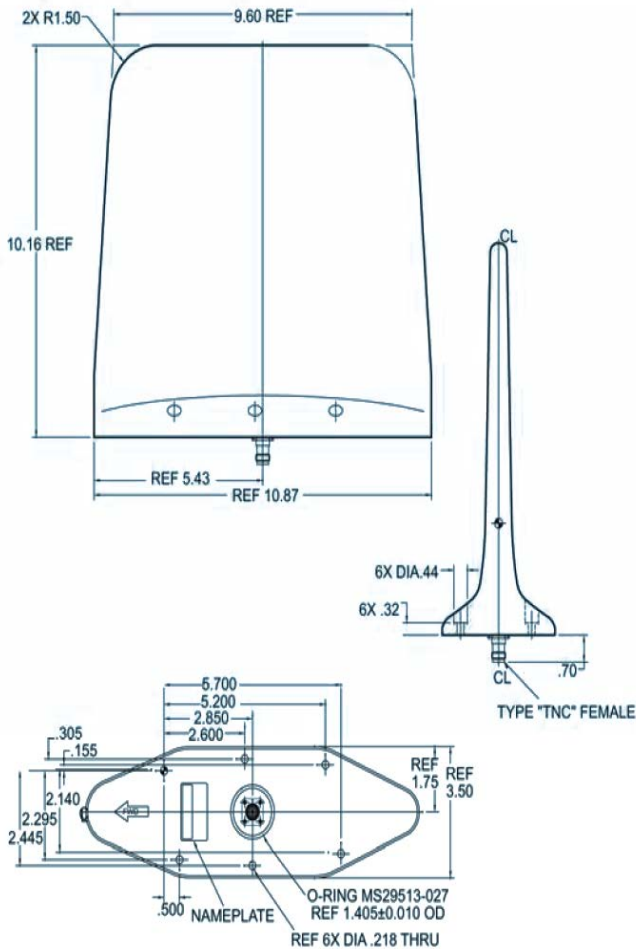
Frequency	225-2500 MHz
VSWR	≤ 2.5:1 (225-500 MHz) ≤ 2.0:1 (500-960 MHz) ≤ 2.0:1 (1220-2500 MHz)
Pattern	Omni / Az Cos/EL
Polarization	Vertical
Impedance	50 Ω
Power	50 Watts

Mechanical

Weight	2.3 lbs.
Height	10 in.
Length	10.94 in.
Material	6061-T6 Aluminum Alloy / Fiberglass
Finish	Skydrol Resistant Enamel
Connector	TNC Female
Drag	2.8 lbs. Mach .85 @ 35,000 ft.

Environmental

Temperature	-54°C (-65°F) to +71°C (+160°F)
Altitude	60,000 ft.



Please Note: For REFERENCE ONLY
Contact Sensor Systems for latest drawing



A HEICO COMPANY

Website: www.sensorantennas.com

Phone: 818-341-5366