



Description

S65-8282-78: High speed, low-drag multi-function antenna. The broadband operational frequency of 30 to 512 MHz enables use in VHF/UHF systems. Antennas can be installed as a phase-matched pair for Direction Finding systems. Applications include C-130 installations.

NSN: 5985-01-565-1241

Federal & Military Certifications: MIL-E-5400H, MIL-E-5272C, MIL-A-7772B, MIL-STD-810D, MIL-A-9094A

Specifications

Electrical

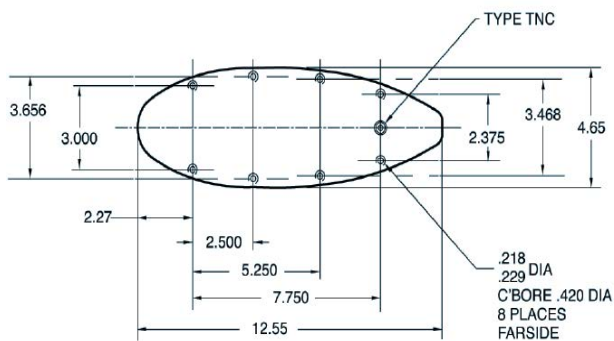
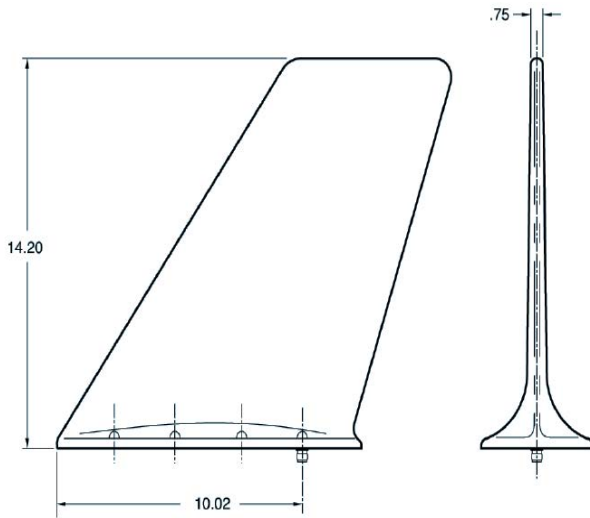
Frequency	30-512 MHz
VSWR	2.6:1 (30-100) 2.3:1 (100-512)
Polarization	Vertical
Pattern	Omni/AZ; Cos/EL
Impedance	50Ω
Power	40 Watts

Mechanical

Weight	3 lbs.
Height	14.2 in.
Material	6061-T6 Aluminum/Glass
Finish	Skydrol Resistant Enamel
Connector	TNC
Drag	2.0 lbs. Mach.85 @ 35,000 ft.

Environmental

Temperature	-54°C (-65°F) to +71°C (+160°F)
Altitude	55,000 ft.



Please Note: For REFERENCE ONLY
Contact Sensor Systems for latest drawing



A HEICO COMPANY

Website: www.sensorantennas.com

Phone: 818-341-5366