

# GPS L1 Antenna S67-1575-132



## Description

**S67-1575-132:** An L1 ARINC 743A low profile active antenna with an advanced radome design and materials that offer enhanced protection against rain, ice and lightning strikes. This antenna features a low-noise and wide bandwidth. DC bias is provided through the coax connector. It is hermetically sealed and meets the the TSO C144 for all MMR installations.

**Federal & Military Specs:** FAA TSO-C144, ARINC 743A, DO-160D, DO-228, MIL-C-5541, MIL-E-5400, and MIL-STD-810.

## Specifications

### Electrical

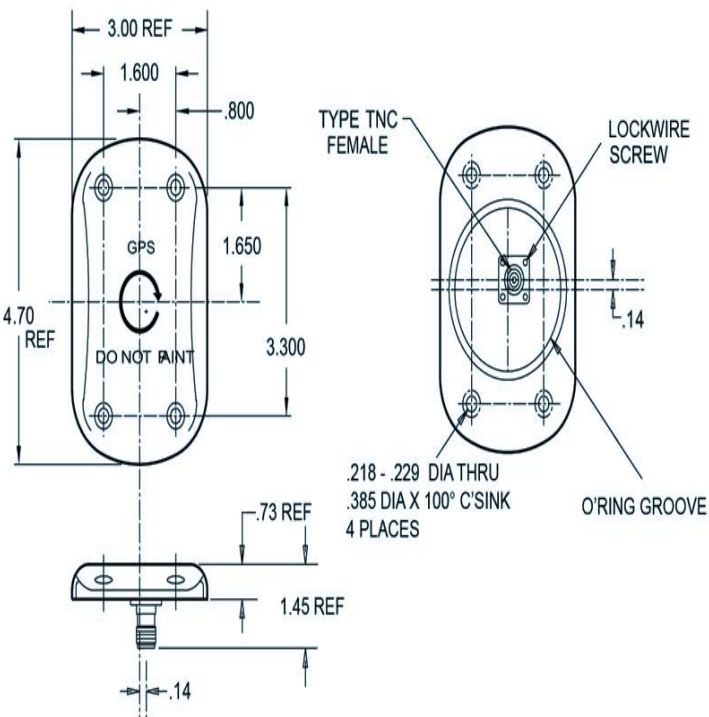
Frequency	1575.42 ± 10 MHz
VSWR	≤ 2.0:1
Polarization	RCHP
Gain (ANT)	≤ 3.0 dBic @ Zenith
Gain Coverage (ANT)	-1.0 dBic 0° ≤ Θ ≤ 75°
	-2.5 dBic 75° ≤ Θ ≤ 80°
	-4.5 dBic 80° ≤ Θ ≤ 85°
	-7.5 dBic Θ = 90° @ Horizon
Gain (Preamp)	29.5 ± 3 dB
Impedance	50 Ω
Out of Band Rejection	65 dB @ 1626 MHz
	30 dB @ 1525 MHz
Power Handling	1 Watt (+30 dBm)
Supply Voltage	+4 to +24 VDC @ 60 mA MAX

### Mechanical

Weight	9 oz.
Height	.73 in. [18.4 mm]
Width	4.70 in. [119.4 mm]
Length	3.0 in. [76.2 mm]
Finish	Skydrol Resistant Polyurethane Enamel
Material	6061-T6 Aluminum Alloy / Thermoset Plastic
Connector	TNC Female

### Environmental

Temperature	-55 °C (-67°F) to 85 °C (+185°F)
Altitude	55,000 ft.



Please Note: For REFERENCE ONLY  
Contact Sensor Systems for latest drawing



A HEICO COMPANY

Website: [www.sensorantennas.com](http://www.sensorantennas.com)

Phone: 818-341-5366