

GPS L1 Antenna S67-1575-134



Description

S67-1575-134: ARINC 743A active antenna, low profile, with advanced radome design and material, offers enhanced protection against rain, ice. 33 dB gain, low-noise, wide bandwidth with specifiable filtering. Accepts +4 to +24 VDC and contains internal voltage regulator. DC bias is provided through coax connector. Hermetically sealed. Meets HIRF/EMI, DO-228 Change 1 and TSO C144 requirements for all critical level MMR installations.

FEDERAL & MILITARY SPECS: FAA TSO C129a, C144, DO-160, DO-228, MIL-STD-810, ARINC 743A, MIL-E-5400.

Specifications

Electrical

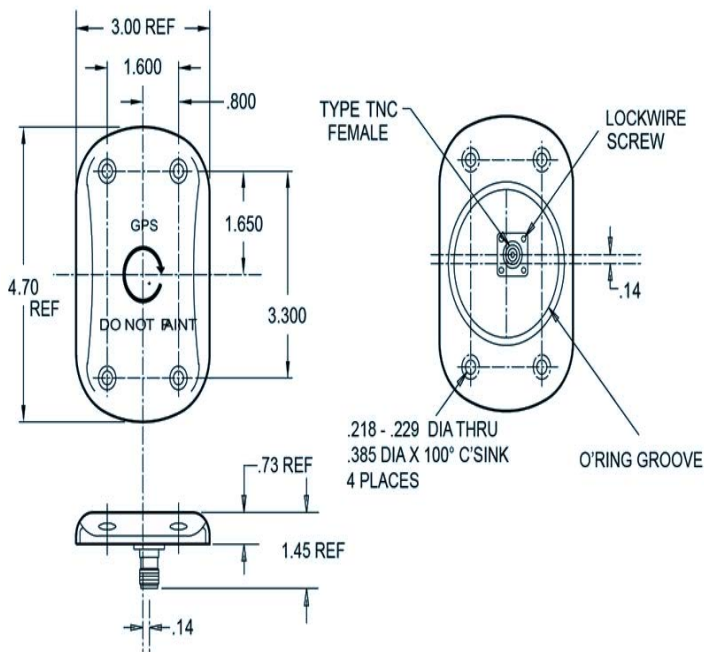
| | |
|----------------|----------------------------|
| Frequency | 1575.42 ± 10 MHz |
| VSWR | ≤ 2.0:1 |
| Polarization | RCHP |
| Axial Ratio | ≤ 3.0 dB @ Zenith |
| Gain | -1.0 dBic 0° ≤ Θ ≤ 75° |
| | -2.5 dBic 75° ≤ Θ ≤ 80° |
| | -4.5 dBic 80° ≤ Θ ≤ 85° |
| | 7.5 dBic Θ = 90° @ Horizon |
| Impedance | 50 Ω |
| Gain (PreAmp) | 33 ± 3 dB |
| Power | 1 Watt |
| Supply Voltage | +4 to +24 VDC @ 60 mA MAX |

Mechanical

| | |
|-----------|--|
| Weight | 9 oz. |
| Height | 0.73 in. |
| Width | 3.0 in. |
| Length | 4.70 in. |
| Finish | Skydrol Resistant Enamel |
| Material | 6061-T6 Aluminum Alloy / Thermoset Plastic |
| Connector | TNC Female |

Environmental

| | |
|-------------|-----------------------------------|
| Temperature | -55 ° C (-67°F) to 85 C° (+185°F) |
| Altitude | 55,000 ft. |



Please Note: For REFERENCE ONLY
Contact Sensor Systems for latest drawing



A HEICO COMPANY

Website: www.sensorantennas.com

Phone: 818-341-5366