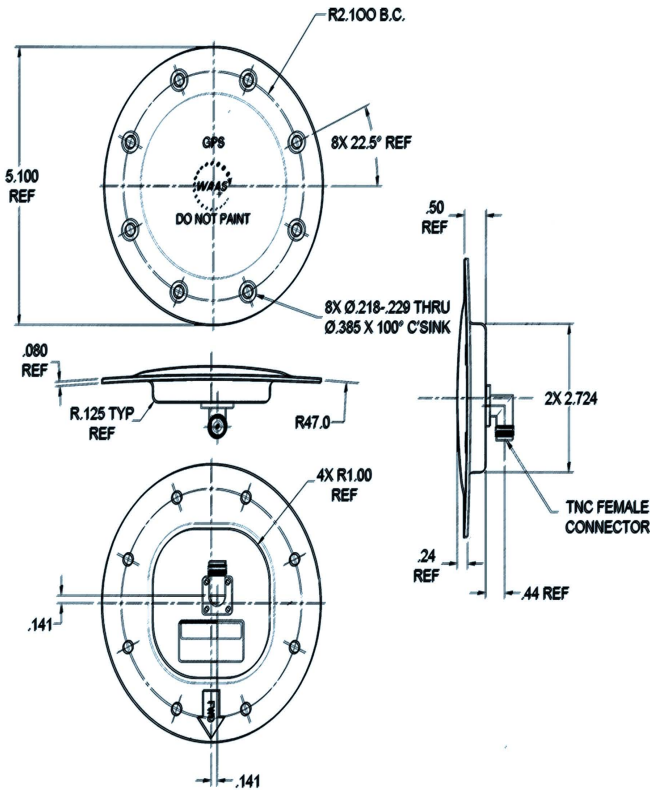


GPS S67-1575-237



Please Note: For REFERENCE ONLY
Contact Sensor Systems for latest drawing

Description

S67-1575-237: FAA TSO C190-certified GPS WAAS LPV antenna is a circular conformal design incorporating an extremely efficient front end filter/amplifier. The amplifier section utilizes advanced band-pass filters, providing significant out-of-band signal rejection. The amplifier has 29.5 dB gain and operates on +4 to +24 volts DC. The antennas are DC grounded and hermetically sealed for a long service life.

FEDERAL & MILITARY SPECS: FAA TSO-c190, DO-160E, MIL-HDBK-5400, MIL-STD-810.

Specifications

Electrical

Frequency	1575.42 ± 10 MHz
VSWR	≤ 1.5:1
Polarization	RHCP
Impedance	50 Ω
Antenna Gain (Typ)	3 dBic @ Zenith
Gain Coverage (min)	-1.0 dBic 0° ≤ Ø ≤ 75°
	-2.5 dBic 0° ≤ Ø ≤ 80°
	-4.5 dBic 0° ≤ Ø ≤ 85°
	-7.5 dBic Ø = 90° @ Horizon
Gain (PreAmp)	29.5 ± 3 dB
G/T ± 2 MHz	-31.6 dB/K
Differential Group Delay	< 25nS
Power Handling	1 Watt
Voltage	+4 to +24 VDC

Mechanical

Weight	8 oz.
Diameter	5.10 in.
Material	6061-T6 Aluminum / Thermoset Plastic
Finish	Skydrol Resistant Enamel
Connector	TNC Female

Environmental

Temperature	-55°C (-67°F) to +85°C (+185°F)
Altitude	55,000 ft.



A HEICO COMPANY

Website: www.sensorantennas.com

Phone: 818-341-5366