

# Altimeter Antenna S67-2002-12



## Description

**S67-2002-12:** Flush mounted radio Altimeter Antenna designed to provide improved performance and reduced size and weight. Circular baseplate requires mounting with eight (8) screws. Compatible with 7-inch diameter horns. Ideal for general aviation application.

**FEDERAL & MILITARY SPECS:** FAA TSO C87, ARINC 708/552, DO-160, MIL-E-5400, MIL-E-5272C.

## Specifications

### Electrical

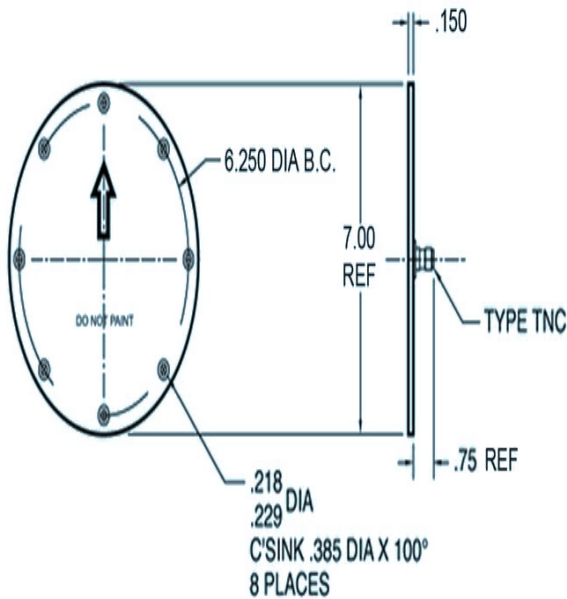
Frequency	4200 - 4400 MHz
VSWR	≤ 1.5:1 (4275-4325 MHz) ≤ 2.0:1 (4200-4400 MHz)
Gain	9.5 dBi
Polarization	Linear
Impedance	50 Ω
Power	5 Watts Average 500 Watt Peak
Beam Width	Roll Plane 45° Min. (E) Pitch Plane 40° Min. (H)
Sideload Level	-40dB

### Mechanical

Weight	8 oz.
Height	.15 in.
Diameter	7.00 in.
Material	6061-T6 Aluminum / Teflon Glass
Finish	Skydrol-Resistant Polyurethane Enamel
Connector	TNC Female

### Environmental

Temperature	-55°C (-67°F) to +85°C (+185°F)
Altitude	-1000 to 45,000 ft.



Please Note: For REFERENCE ONLY  
Contact Sensor Systems for latest drawing



A HEICO COMPANY

Website: [www.sensorantennas.com](http://www.sensorantennas.com)

Phone: 818-341-5366