

Altimeter S67-2002-14



Description

S67-2002-14: Flush mounted radio Altimeter Antenna designed to provide improved performance and reduced size and weight. Small size provides ease of mounting. Connector length of 1.0 inch. Ideal for Raytheon application.

FEDERAL & MILITARY SPECS: FAA TSO C87, ARINC 708/552, MIL-E-5400, MIL-E-5272C.

Specifications

Electrical

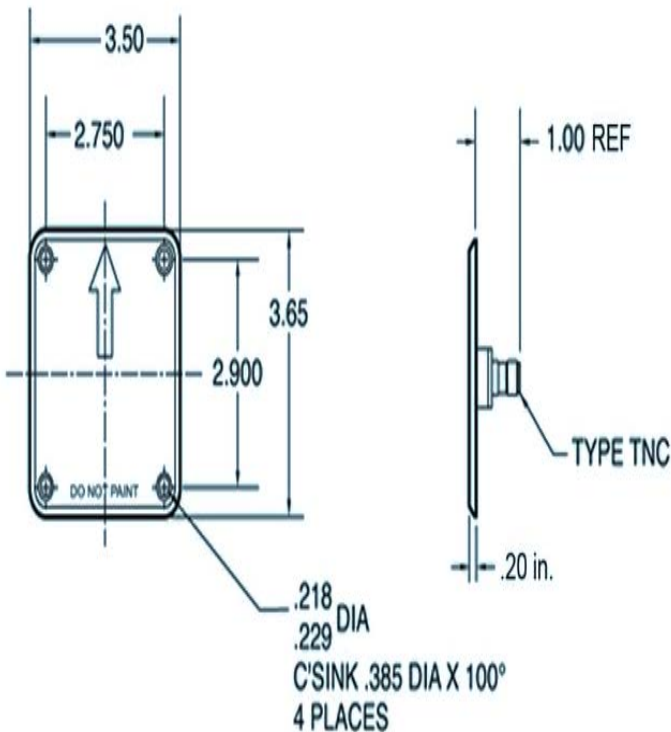
Frequency	4200 - 4400 MHz
VSWR	≤ 2.0:1 (4200-4400 MHz)
	≤ 1.9:1 (4210-4390 MHz)
	≤ 1.5:1 (4275-4325 MHz)
Gain	10 dBi
Polarization	Linear
Impedance	50 Ω
Power Handling	5 Watts Average
	500 Watt Peak
Beam Width	Roll Plane 45° Min. (E)
	Pitch Plane 40° Min. (H)
Sideload Level	-40dB

Mechanical

Weight	4 oz.
Height	.20 in.
Length	3.65 in.
Width	3.50 in.
Material	6061-T6 Aluminum / Teflon Glass
Finish	Skydrol Resistant Polyurethane Enamel
Connector	TNC Female

Environmental

Temperature	-55°C (-67°F) to +85°C (+185°F)
Altitude	55,000 ft.



Please Note: For REFERENCE ONLY
Contact Sensor Systems for latest drawing



A HEICO COMPANY

Website: www.sensorantennas.com

Phone: 818-341-5366