

# Altimeter Antenna S67-2002-45



## Description

**S67-2002-45:** Flush mounted radio Altimeter Antenna designed to provide improved performance and reduced size and weight. Small size provides ease of mounting. Metalized countersinks and connector length of 1.4 inches. Embraer 170/190 application.

**FEDERAL & MILITARY SPECS:** FAA TSO C87, ARINC 708/552, MIL-E-5400, MIL-E-5272C, RTCA DO-160.

## Specifications

### Electrical

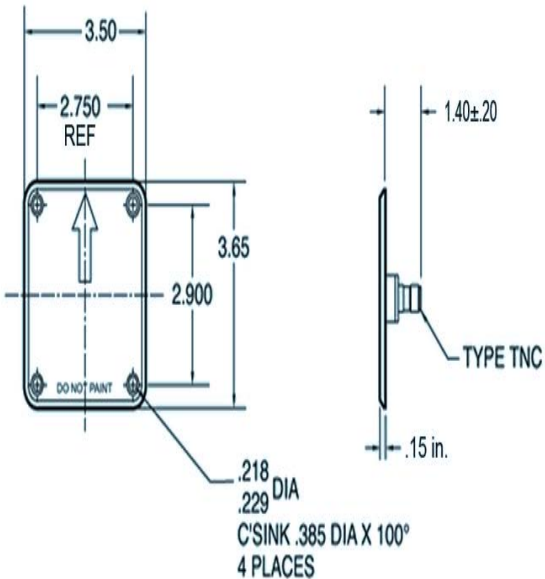
Frequency	4200 - 4400 MHz
VSWR	≤ 1.5:1 (4275-4325 MHz) ≤ 2.0:1 (4200-4200 MHz)
Gain	9.5 dBi
Polarization	Linear
Impedance	50 Ω
Power Handling	5 Watts Average 500 Watt Peak
Beam Width	Roll Plane 45° Min. (E) Pitch Plane 40° Min. (H)
Sideload Level	-40dB

### Mechanical

Weight	4 oz.
Height	.20 in.
Length	3.65 in.
Width	3.50 in.
Material	6061-T6 Aluminum / Teflon Glass
Finish	Skydrol Resistant Polyurethane Enamel
Connector	TNC Female

### Environmental

Temperature	-55°C (-67°F) to +85°C (+185°F)
Altitude	1,000 to 45,000 ft.



Please Note: For REFERENCE ONLY  
Contact Sensor Systems for latest drawing



A HEICO COMPANY

Website: [www.sensorantennas.com](http://www.sensorantennas.com)

Phone: 818-341-5366