

ADF Antenna **S72-1712-26**



Description

S72-1712-26: The ADF ARINC 712 digital receiver uses a combined loop/sense antenna for operation with the digital ADF receiver incorporated in the shell. A test loop feature is provided on pins 15 and 16. The ferrite loop is a unique rugged design that provides repeatable bearing accuracy. Compatible with Honeywell and Collins ARINC 712 specs. The baseplate radius is 118.5 inches for MD-11 installations.

FEDERAL & MILITARY SPECS: FAA TSO C41c, ARINC-712, DO-160A, and MIL-E-5400.

Specifications

Electrical

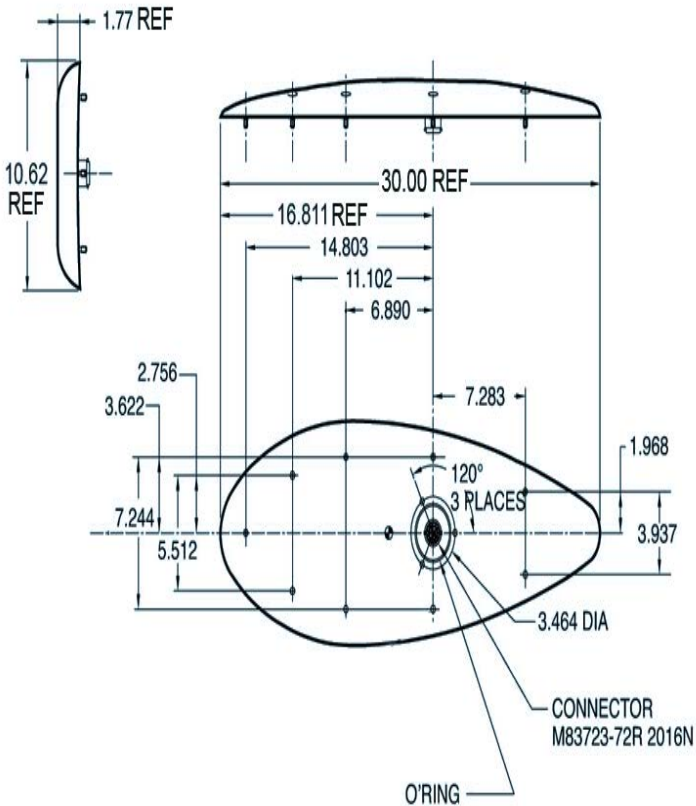
Frequency	190-1750 KHz
VSWR	≤ 1.2:1
Output Impedance (±5%)	78 Ohms balanced 1 M Ohms to ground min.
Power	± 12V, 150 mA. (Max.)
Pattern	Omnidirectional
Bearing Accuracy	Better than 0.4°
Effective Height (±10%)	Sense: 0.03 meter Loop: 0.23 meter (190 KHz) 0.038 meter (577 KHz) 0.023 meter (1750 KHz)
Loop Resonance Freq. (±5%)	577 KHz
Loop Operating Q (±10%)	0.5 KHz
Loop Amplitude Tracking	0.25 dB
Loop Phase Charact.(s)	± 8° of $(90-2 \tan^{-1} f/577)$
Noise Output into 78Ω	Sense: 3.3 nV / √Hz max. Loop: 8.0 nV / √Hz max.

Mechanical

Weight	8.8 lbs.
Height	1.77 in.
Length	30 in.
Width	10.62 in.
Material	Thermoset Plastic
Finish	Anti-Static Paint
Connector	M83723-72R 2016N

Environmental

Temperature	-65°C (-85°F) to +90°C (194°F)
Altitude	55,000 ft.



Please Note: For REFERENCE ONLY
Contact Sensor Systems for latest drawing



A HEICO COMPANY

Website: www.sensorantennas.com

Phone: 818-341-5366