

# TCAD II S72-1750-31L



## Description

**S72-1750-32L:** Traffic Collision Alert Device (TCAD II) antenna. It is a low-profile single blade antenna designed for mounting on top of the aircraft. The mounting configuration of this antenna features a four-element array that is compatible with the Avidyne TCAD II system.

**FEDERAL & MILITARY:** FAA TSO-C74c, DO-160C, MIL-D-5400H, MIL-STD-454, and MIL-STD-810C.

## Specifications

### Electrical

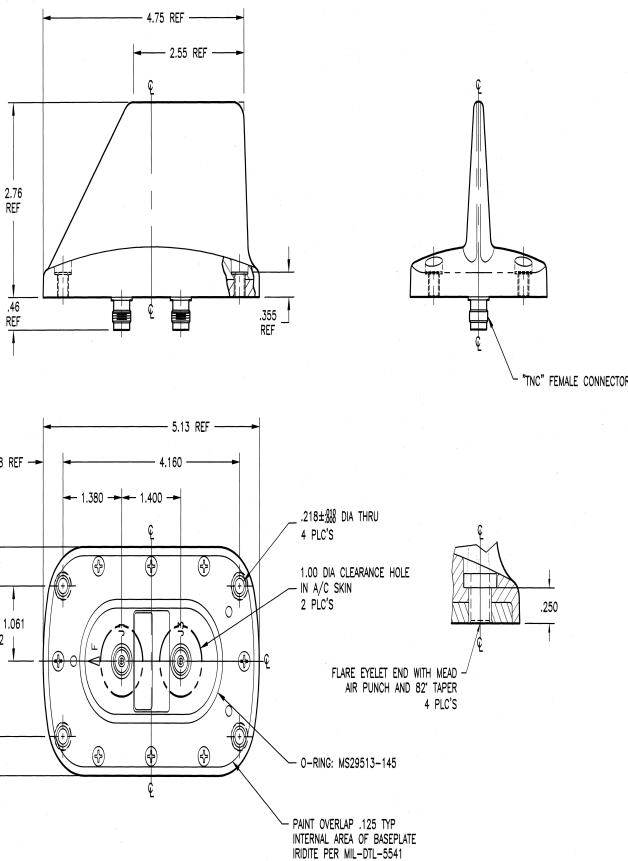
Frequency	1030 ± 1 MHz 1090 ± 3 MHz
VSWR	≤ 2.0:1 (1030 MHz) ≤ 2.3:1 (1090 MHz)
Polarization	Vertical
Impedance	50 Ω
Power Handling	10 Watts

### Mechanical

Weight	10.5 oz.
Height	1.36 in.
Length	5.13 in.
Material	6061-T6 Aluminum Alloy / Thermoset Plastic
Finish	Skydrol Resistant Enamel
Connector	TNC Female (2)

### Environmental

Temperature (Operating)	-55°C (-67°F) to +85°C (+185°F)
Altitude	55,000 ft.



Please Note: For REFERENCE ONLY  
Contact Sensor Systems for latest drawing



A HEICO COMPANY

Website: [www.sensorantennas.com](http://www.sensorantennas.com)

Phone: 818-341-5366