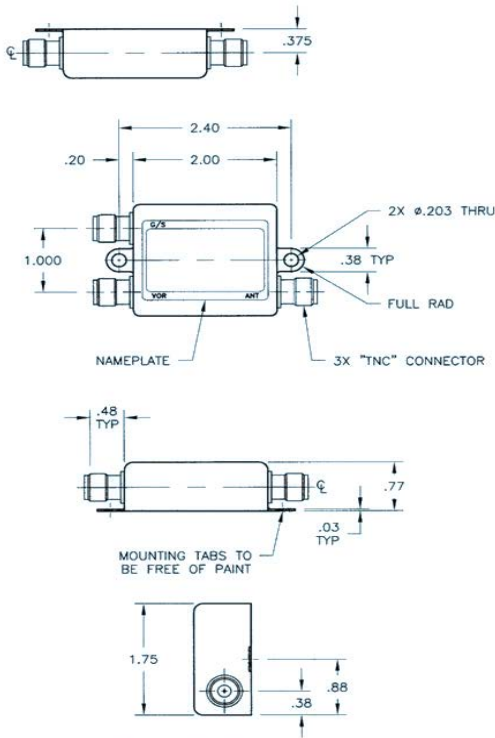


# VOR/Glide Slop Diplexer SSPD-113-112



Please Note: For REFERENCE ONLY  
Contact Sensor Systems for latest drawing

## Description

SSPD-113-112: Diplexer operating at 108-118 MHz and 328-336 MHz in order to split the signal from a single VOR/LOC/Glide Slope antenna into separate VOR/LOC and Glide Slope receivers. The Diplexer may also be used when redundant VOR/LOC/GS receivers are utilized.

## Specifications

### Electrical

Frequency	108-118 MHz 328 - 336 MHz
Insertion Loss	0.8 dB Min.
VSWR	1.5:1 Max
Isolation	20 dB Min.

### Mechanical

Weight	3 oz.
Height	0.77 in.
Length	2.40 in.
Width	1.75 in.
Material	Steel
Finish	Skydrol Resistant Polyurethane Enamel
Connector	TNC Female (3)

### Environmental

Temperature	-55°C (-67°F) to +115°C (+239°F)
Altitude	70,000 ft.



A HEICO COMPANY

Website: [www.sensorantennas.com](http://www.sensorantennas.com)

Phone: 818-341-5366