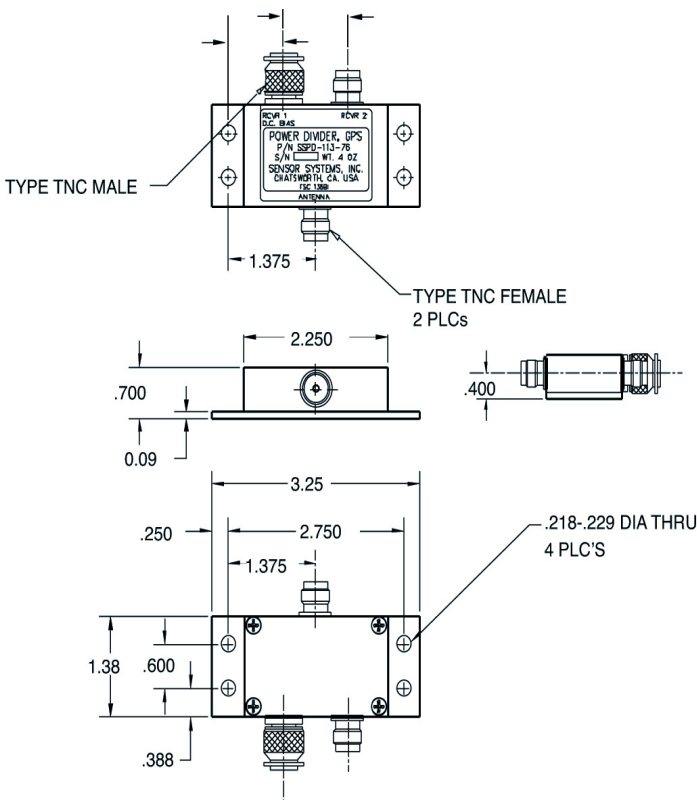


GPS Power Divider SSPD-113-76



Please Note: For REFERENCE ONLY
Contact Sensor Systems for latest drawing

Description

SSPD-113-76: Equal-power divider for L1 and/or L2 GPS applications. Used with an active or passive antenna. This power divider allows GPS users to connect a single GPS antenna to dual GPS receivers for redundancy needs. In case of utilizing an active GPS antenna, this GPS power divider locks the DC bias coming through RVR.2 port and passes the DC bias coming through RCVR.1 port.

FEDERAL & MILITARY SPECS: MIL-E-5400, MIL-STD-810.

NSN: 5985-01-504-0641

Specifications

Electrical

Frequency	1227 ± 10 MHz 1575 ± 10 MHz
VSWR	≤ 1.5:1
Impedance	50 Ω
Power Division	3.0 ± 0.5 dB
Power	25 Watts Continuous 1000 Watts Peak

Mechanical

Weight	4 oz.
Height	0.70 in. max
Length	3.25 in.
Width	1.38 in.
Finish	Blue Anodize Type II
Material	6061-T6 Alum Alloy
Connector	(2) TNC Female (1) TNC Male

Environmental

Temperature	-55°C (-67°F) to +85°C (+185°F)
Altitude	50,000 ft.



A HEICO COMPANY

Website: www.sensorantennas.com

Phone: 818-341-5366