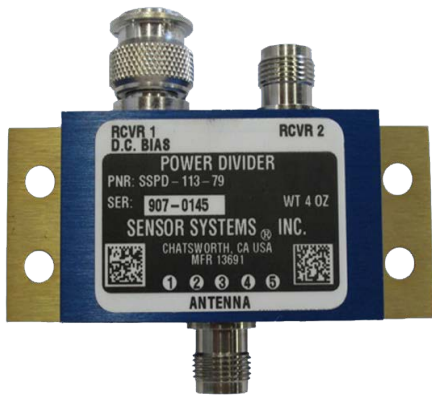


# GPS Power Divider SSPD-113-79



## Description

**SSPD-113-79:** Equal power divider for single GPS antennas used with redundant GPS receivers. The unit is compatible with passive and active L1/L2 antennas. When utilizing active antennas, the unit passes the DC bias coming through RCVR 1 but blocks it from RCVR 2. The divider draws DC current from RCVR 2 to prevent the GPS receiver from displaying an antenna BITE fault.

**FEDERAL & MILITARY SPECS:** MIL-STD-810, MIL-HDBK-5400.

## Specifications

### Electrical

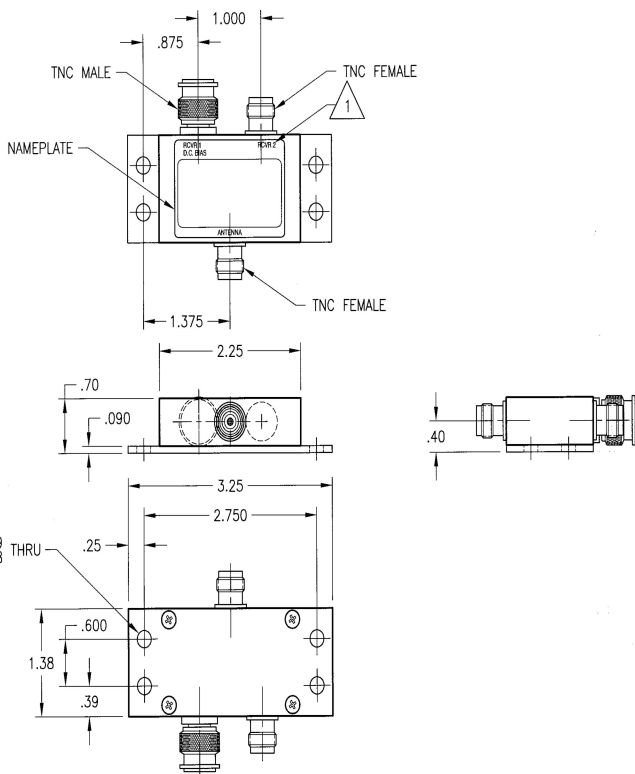
|                |  |
|----------------|--|
| Frequency      | 1227 ± 10 MHz<br>1575 ± 10 MHz         |
| VSWR           | ≤ 1.5:1                                |
| Impedance      | 50 Ω                                   |
| Power Division | 3.0 ± 0.5 dB                           |
| Power          | 25 Watts Continuous<br>1000 Watts Peak |

### Mechanical

|           |                                |
|-----------|--------------------------------|
| Weight    | 4 oz.                          |
| Height    | 0.70 in.                       |
| Length    | 3.25 in.                       |
| Width     | 1.38 in.                       |
| Finish    | Blue Anodize Type II           |
| Material  | 6061-T6 Alum Alloy             |
| Connector | (2) TNC Female<br>(1) TNC Male |

### Environmental

|             |                                 |
|-------------|---------------------------------|
| Temperature | -55°C (-67°F) to +85°C (+185°F) |
| Altitude    | Sea level to 50,000 ft.         |



Please Note: For REFERENCE ONLY  
Contact Sensor Systems for latest drawing



A HEICO COMPANY

Website: [www.sensorantennas.com](http://www.sensorantennas.com)

Phone: 818-341-5366