

# UHF S65-1025



## Description

This is high-powered UHF, receive-only antenna is made from aluminum casting. The antenna is internally supported to offer maximum side loading effect and resistance to extreme temperatures. The power handling capability is 10 kw.

The **S65-1025** antenna is hermetically sealed for a long service life and highly resistant to erosion.

The antenna is compatible with AWACS UHF communications.

## Federal & Military Certifications:

MIL-DTL-5541 and MIL-E-5400.

## Specifications

### Electrical

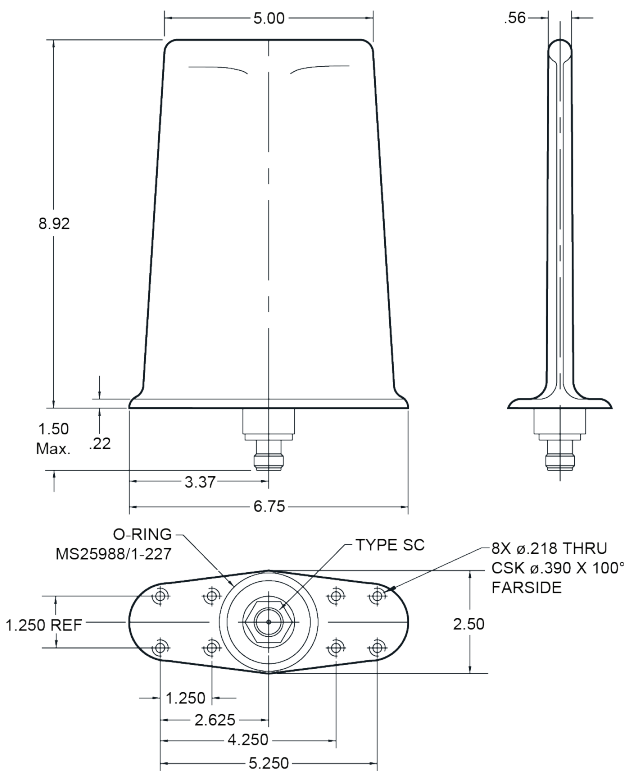
|              |   |
|--------------|---|
| Frequency    | 225-400 MHz   |
| VSWR         | 225-250 MHz: 2.0:1<br>250-400 MHz: 1.65:1                             |
| Gain         | ≥0 dBi (Avg. to ±15°)<br>7 dB (Min. gain within 7 dB of avg. or med.) |
| Polarization | Vertical ±15°   |
| Pattern      | 360° Azimuth, ±15° Elevation  |
| Power        | 5 kw Average, 10 kw Peak (to 40 k ft.)                                |
| Efficiency   | >85%  |
| Roll Off     | Min. Attenuation Between 30 and 76 MHz shall be 76 dB/Decade          |

### Mechanical

|           |                     |
|-----------|---------------------|
| Weight    | 2.5 lbs.            |
| Height    | 8.92 in.            |
| Length    | 6.75 in.            |
| Width     | 2.50 in.            |
| Finish    | Polyurethane Enamel |
| Connector | SC Female           |

### Environmental

|             |   |
|-------------|---|
| Temperature | Operating and non-operating requirements of 3.2.24.1 of MIL-E-5400 for Class I equipment shall apply. |
|-------------|---|



Please Note: For REFERENCE ONLY  
Contact Sensor Systems for latest drawing



A HEICO COMPANY

Website: [www.sensorantennas.com](http://www.sensorantennas.com)

Phone: 818-341-5366