

UHF S65-1026



Description

This is high-powered UHF, receive-only antenna is made from aluminum casting. The antenna is internally supported to offer maximum side loading effect and resistance to extreme temperatures.

The **S65-1026** antenna is hermetically sealed for a long service life and highly resistant to erosion.

The antenna is compatible with AWACS UHF communications.

Federal & Military Certifications:

MIL-E-5400.

Specifications

Electrical

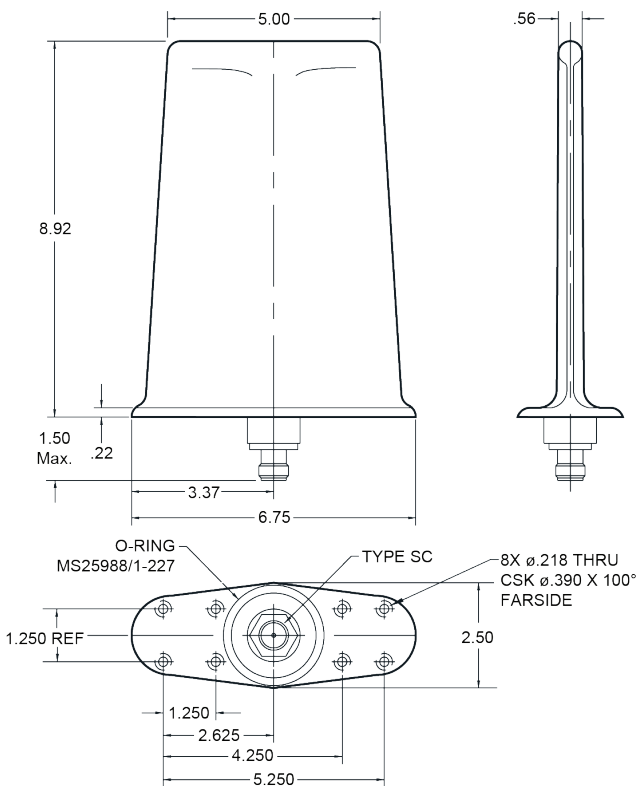
Frequency	225-400 MHz
VSWR (50 Ref)	225-250 MHz: 2.0:1 250-400 MHz: 1.65:1
Gain	≥0 dBi (Avg. to ±15°) 7 dB (Min. gain within 7 dB of avg. or med.)
Polarization	Vertical ±15° Elevation
Pattern	360° Azimuth, ±15° Elevation
Power	1 kw Average, 2 kw Peak (to 40 k ft.)
Efficiency	>85%
Roll Off	60 dB/Decade below 225 MHz

Mechanical

Weight	2.5 lbs.
Height	8.92 in.
Length	6.75 in.
Width	2.50 in.
Finish	Polyurethane Enamel
Connector	SC Female

Environmental

Temperature	Operating and non-operating requirements of 3.2.24.1 of MIL-E-5400 for Class I equipment shall apply.
-------------	---



Please Note: For REFERENCE ONLY
Contact Sensor Systems for latest drawing



A HEICO COMPANY

Website: www.sensorantennas.com

Phone: 818-341-5366