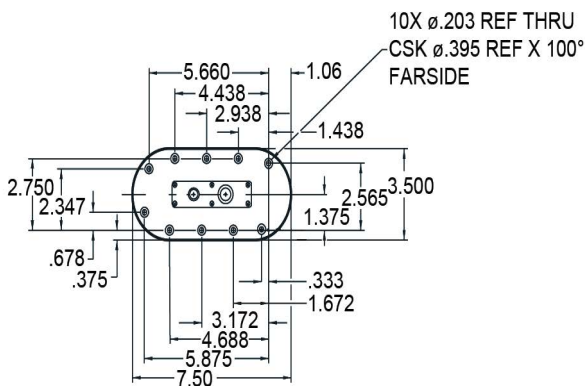
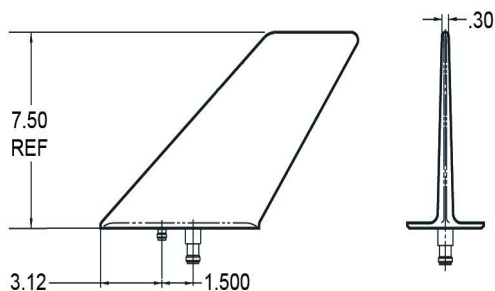


# UHF/L-Band S65-1226-2



## Description

**S65-1226-2:** This all-metal antenna was designed with internal filters incorporated into the base to provide 40 dB isolation. The antenna conforms to military mounting pattern and is ideal for high-speed military aircraft.

**Federal & Military Certifications:** MIL-A-6271A, MIL-A-7772B, MIL-A-9094C, MIL-E-5272C, MIL-E-5400H and MIL-STD-810.

## Specifications

### Electrical

Frequency	UHF: 225-400 MHz L-Band: 960-1220 MHz
VSWR	UHF: $\leq 2.3:1$ L-Band (960-1220 MHz): $\leq 2.3:1$ L-Band (1000-1100 MHz): $\leq 2.0:1$
Gain	UHF: +3 dBi L-Band: +3 dBi
Polarization	Vertical
Pattern	1/4 Wave Monopole
Impedance	50 $\Omega$
Power	UHF: 150 Watts Continuous L-Band: 100 Watts Continuous 4000 Watts Peak

Isolation 40 dB

### Mechanical

Weight	30 oz.
Height	7.50 in.
Length	7.50 in.
Width	3.50 in.
Material	A356-T61 Aluminum Alloy
Finish	Skydrol Resistant Polyurethane Enamel
Connector	UHF: TNC Female L-Band: SC Female

### Environmental

Temperature	-54°C (-64°F) to +95°C (+203°F)
Altitude	40,000 ft.

Please Note: For REFERENCE ONLY  
Contact Sensor Systems for latest drawing



A HEICO COMPANY

Website: [www.sensorantennas.com](http://www.sensorantennas.com)

Phone: 818-341-5366