

# UHF/L-Band S65-1226-61



## Description

This all-metal antenna was designed with internal filters incorporated into the base to provide 40 dB isolation. The antenna conforms to military mounting pattern and is ideal for high-speed military aircraft.

## Federal & Military Certifications:

MIL-6271A, MIL-A-7772B, MIL-A-9094C, MIL-E-5272C, MIL-E-5400H and MIL-STD-810.

## Specifications

### Electrical

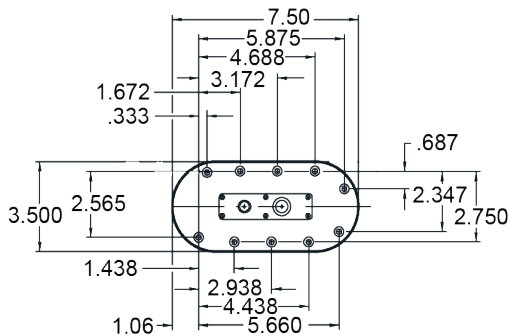
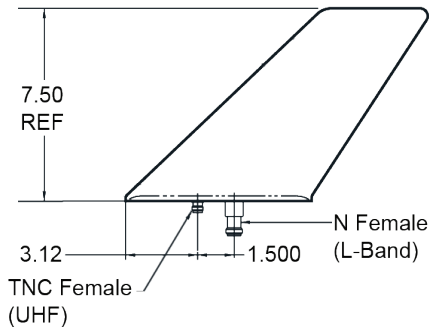
Frequency	UHF: 225-400 MHz L-Band: 1290-1500 MHz
VSWR	UHF: $\leq 2.4:1$ L-Band: $\leq 2.3:1$
Gain	UHF: +3 dBi L-Band: +3 dBi
Polarization	Vertical
Pattern	1/4 Wave Monopole
Impedance	50 $\Omega$
Power	UHF: 100 Watts L-Band: 4000 Watts Peak @ 100 Watts Continuous
Isolation	40 dB
Efficiency	90%

### Mechanical

Weight	30 oz.
Height	7.50 in.
Length	7.50 in.
Width	3.50 in.
Material	A356-T61 Aluminum Alloy
Finish	Skydrol Resistant Enamel
Connector	UHF: TNC Female L-Band: N Female
Drag	M.85 @ 35,000 ft. = .70 lbs.

### Environmental

Temperature (Operating)	-54°C (-64°F) to +95°C (+203°F)
Altitude	70,000 ft.



Please Note: For REFERENCE ONLY  
Contact Sensor Systems for latest drawing



A HEICO COMPANY

Website: [www.sensorantennas.com](http://www.sensorantennas.com)

Phone: 818-341-5366