

VHF-FM S65-8280-4



Description

S65-8280-4: High-band VHF-FM, all-metal antenna. The antenna is DC grounded to provide lightning protection and eliminate "P" static. It is hermetically sealed.

The antenna is ideal for military, commercial and corporate aircraft with speeds up to 600 mph

The antenna's bold pattern is interchangeable with Collins 37R-2, VC10-126 DMC 60 and other VHF communication antennas.

Federal & Military Certifications: FAA TSO C-37b, and C38b, DO-160D, MIL-A-6271C, MIL-HDBK-5400, MIL-STD-810B/D and SAE ARP5416.

Specifications

Electrical

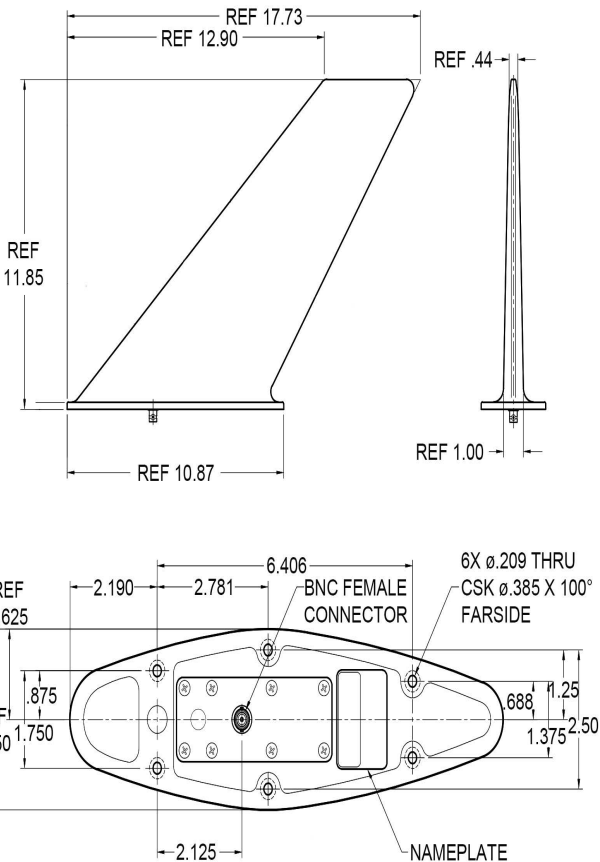
Frequency	140-180 MHz
VSWR	≤ 2.0:1
Polarization	Vertical
Pattern	Omnidirectional in Azimuth Cosinusoidal in Elevation
Impedance	50 Ω
Power	70 Watts Continuous 250 Watts Peak

Mechanical

Weight	3.3 lbs.
Height	11.85 in.
Length	10.87 in.
Width	3.250 in.
Material	A-356 T6 Aluminum Alloy
Finish	Skydrol Resistant Enamel
Connector	BNC Female

Environmental

Temperature	-53°C (-64°F) to +95°C (+203°F)
Altitude	55,000 ft.



Please Note: For REFERENCE ONLY
Contact Sensor Systems for latest drawing



A HEICO COMPANY

Website: www.sensorantennas.com

Phone: 818-341-5366