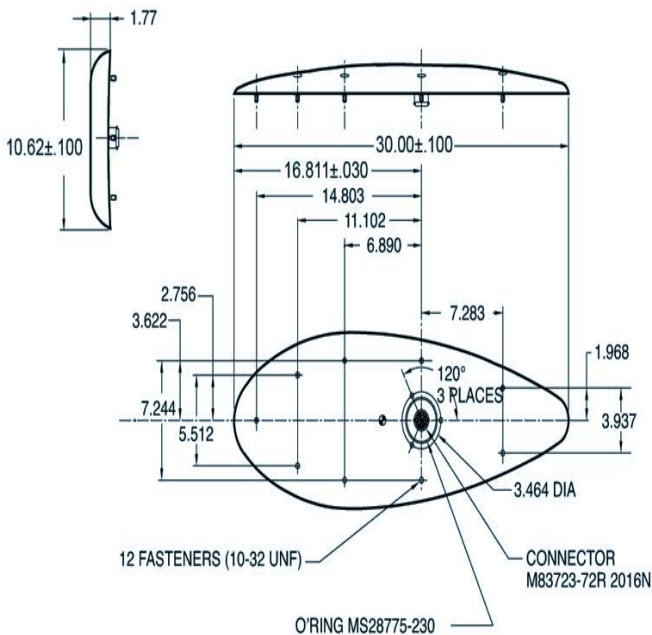


# ADF Antenna S72-1712-9



Please Note: For REFERENCE ONLY  
Contact Sensor Systems for latest drawing

## Description

**S72-1712-9:** The ADF ARINC 712 digital receiver uses a combined loop/sense antenna for operation with the digital ADF receiver incorporated in the shell. A test loop feature is provided on pin numbers 15 & 16. The ferrite loop is a unique rugged design that provides repeatable bearing accuracy. Compatible with Allied Signal and Collins ARINC 712 specs. The baseplate radius is 66 inches (1676 mm) for DC-9 and MD-80 installations.

**FEDERAL & MILITARY SPECS:** ARINC-712, DO-160A, MIL-E-5400, FAA TSO-C41c.

## Specifications

### Electrical

Frequency	190-1750 KHz
VSWR	≤ 1.2:1
Output Impedance (±5%)	78 Ohms balanced 1 M Ohms to ground min.
Power	± 12V, 150 mA. (Max.)
Pattern	Omnidirectional
Bearing Accuracy	Better than 0.4°
Effective Height (±10%)	Sense: 0.03 meter Loop: 0.023 meter (190 KHz) 0.038 meter (577 KHz) 0.023 meter (1750 KHz)
Loop Resonance Freq. (±5%)	577 KHz
Loop Operating Q (±10%)	0.5 KHz
Loop Amplitude Tracking	0.25 dB
Loop Phase Charact.(s)	± 8° of (90-2 TAN-1 f/577)
Noise Output into 78Ω	Sense: 3.3 nV / √Hz max. Loop: 8.0 nV / √Hz max.

### Mechanical

Weight	8.8 lbs.
Height	1.77 in.
Length	30 in.
Width	10.62 in.
Material	Glass-reinforced thermoplast
Finish	Skydrol Resistant Enamel
Connector	M83723-72R 2016N

### Environmental

Temperature	-65°C (-85°F) to +90°C (194°F)
Altitude	50,000 ft.



A HEICO COMPANY

Website: [www.sensorantennas.com](http://www.sensorantennas.com)

Phone: 818-341-5366