



Description

S45-8484-10: Lightweight VHF antenna transmitting and receiving on 118 – 174 MHz. The composite radome provides great protection against Skydrol, rain, ice, and other weather elements. The antenna has a six-hole bolt pattern and a TNC connector. It weighs only 1.2 lbs and is under 10" tall. The low profile blade antenna provides reduced drag compared to the taller VHF antennas.

The antenna was designed to be ideal for the eVOTL, General Aviation, Rotorcraft, and Corporate Jet markets.

Federal & Military Certifications: FAA TSO C37d, C38d, C169a, DO-160G, and MIL-HDBK-5400

Specifications

Electrical

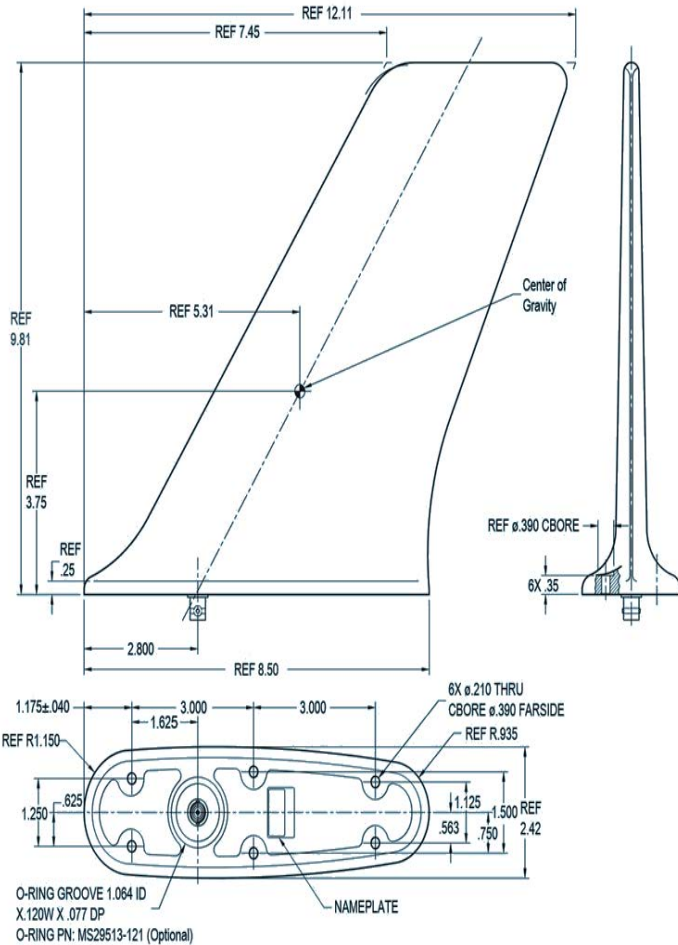
Frequency	118-174 MHz
VSWR	≤ 2.5:1
Polarization	Vertical
Patterns	1/4 Wave Monopole
Impedance	50 Ω
Power	40 Watts

Mechanical

Weight	1.2 lbs. (.544 kg)
Height	9.81 in. (249.2 mm)
Width	2.42 in. (61.5 mm)
Length	8.50 in. (216 mm)
Material	6061-T6 Aluminum Base and Ultem
Finish	Skydrol-resistant polyurethane
Connector	TNC Female

Environmental

Temperature	-55°C (-67°F) to +85°C (+185°F)
Altitude	55,000 ft.



Please Note: For REFERENCE ONLY
Contact Sensor Systems for latest drawing



A HEICO COMPANY

Website: www.sensorantennas.com

Phone: 818-341-5366