

# Satcom/ Dual Iridium S67-1575-165



## Description

**S67-1575-165:** TSO-approved, dual-element Iridium antenna providing continuous coverage from 1565 MHz to 1626.5 MHz for excellent Iridium coverage as well as GPS L1 applications.

The dual-element design provides the capability to connect two Iridium devices, or an Iridium transceiver and GPS receiver to the antenna without using a splitter. The special molded radome provides superior protection against rain, ice and lightning strikes. Hermetically sealed and DC grounded.

The S67-1575-165 is approved as Iridium Compatible Equipment (ICE).

**FEDERAL & MILITARY SPECS:** DO-160C, FAA TSO-C129a, MIL-HDBK-5400, MIL-STD-810.

## Specifications

### Electrical

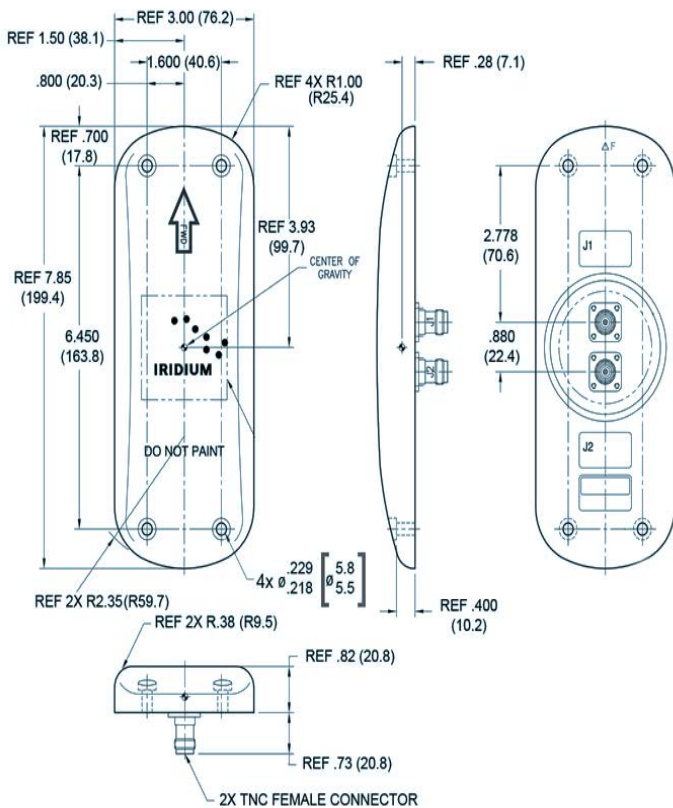
Frequency	1565 - 1626.5 MHz
VSWR	≤ 1.8:1
Polarization	RHCP
Impedance	50 Ω
Power Handling	60 Watts
Axial Ratio	-1.0 dBic 0° ≤ Ø ≤ 75°
	-2.5 dBic 0° ≤ Ø ≤ 80°
	-4.5 dBic 0° ≤ Ø ≤ 85°
	-7.5 dBic Ø = 90° @ Horizon

### Mechanical

Weight	16.5 oz.
Height	.82 in.
Length	7.85 in.
Width	3.00 in
Material	6061-T6 Aluminum / Thermoset Plastic
Finish	Skydrol Resistant Polyurethane Enamel
Connector	TNC Female (2)

### Environmental

Temperature	-55°C (-67°F) to +85°C (+185°F)
Altitude	55,000 ft.



Please Note: For REFERENCE ONLY  
Contact Sensor Systems for latest drawing



A HEICO COMPANY

Website: [www.sensorantennas.com](http://www.sensorantennas.com)

Phone: 818-341-5366