

Marker Beacon S35-1000-2



Description

This marker beacon antenna is fabricated from an aluminum alloy casting which is impervious to the tough environment typical of the underside of an aircraft.

The **S35-1000-2** antenna's electrical characteristics are similar to the short horizontal dipole while providing VSWR and radiation patterns per MIL-A-5999A.

Federal & Military Certifications:

TSO-C35c, DO-160D/G, DO-143, MIL-A-5999A, MIL-E-5400, MIL-STD-810D/E and SAEARP5416.

Specifications

Electrical

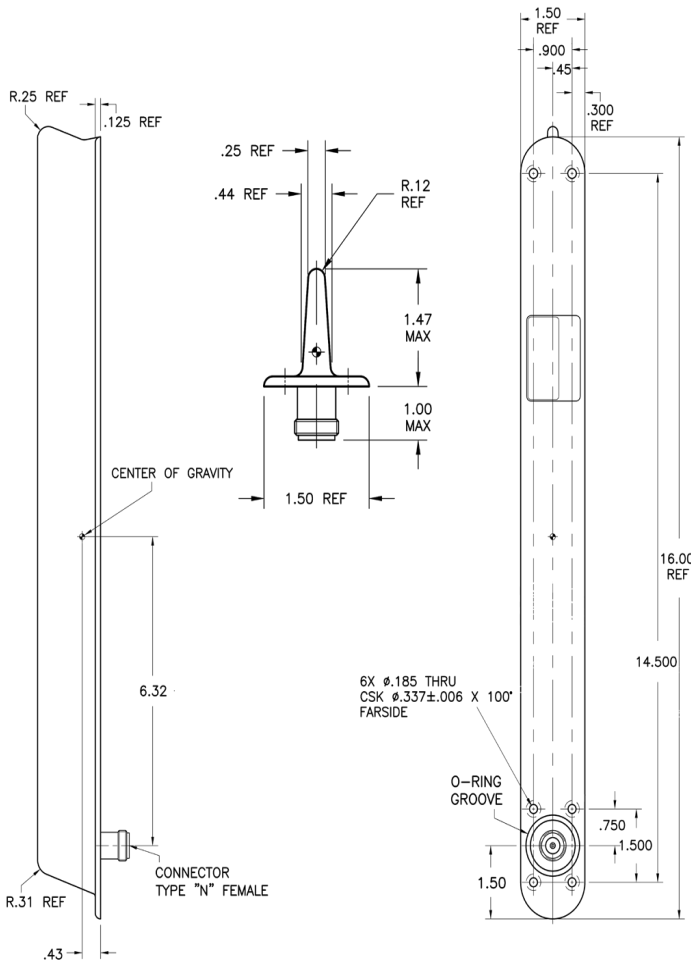
Frequency	75 MHz
VSWR	≤1.5:1 @ 75MHz ≤5.0:1 @ 75 ±0.15 MHz
Gain	-3 dBi (Relative Isotropic)
Polarization	Linear along Major Axis
Pattern	Single Downward Lobe
Impedance	50 Ω

Mechanical

Weight	11 oz.
Height	1.47 in.
Length	16.00 in.
Width	1.50 in.
Material	A356-T6 Aluminum Alloy Casting / Epoxy Fiberglass Cover
Finish	Corrosion Inhibiting Primer & Skydrol Resistant Gloss Enamel
Connector	N Female

Environmental

Temperature (Operating)	-55°C (-67°F) to +115°C (+239°F)
Altitude	-1800 to 67,600 ft.



Please Note: For REFERENCE ONLY
Contact Sensor Systems for latest drawing



A HEICO COMPANY

Website: www.sensorantennas.com

Phone: 818-341-5366