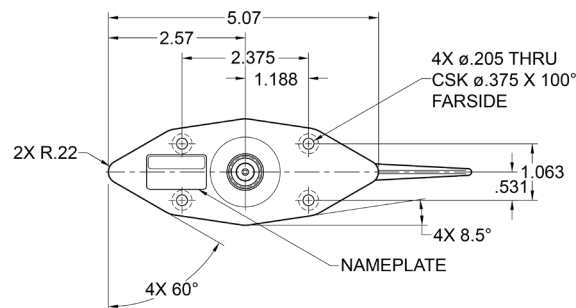
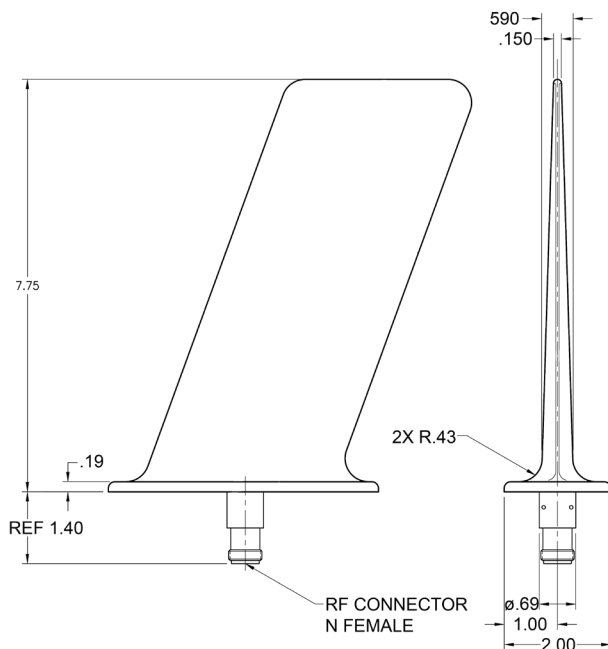


UHF S65-1016



Please Note: For REFERENCE ONLY
Contact Sensor Systems for latest drawing

Description

This low-drag, swept back UHF blade antenna conforms to AT-840 specifications.

The **S65-1016** antenna features a high strength aluminum die-casting. The antenna has a four-hole bolt patterns for a long service life. The antenna is ideal for military and general aviation.

Federal & Military Certifications:

FAA TSO-C37b, C38b, MIL-A-6224, MIL-E-5272C, MIL-E-5400 and MIL-STD-810C/D (AT-840).

Specifications

Electrical

Frequency	225-400 MHz
VSWR	2.0:1
Polarization	Vertical
Pattern	1/4 Wave Monopole
Impedance	50 Ω
Power	100 Watts Continuous
Efficiency	85% Min.

Mechanical

Weight	16 oz.
Height	7.75 in.
Length	5.07 in.
Width	2.00 in.
Finish	Skydrol Resistant Polyurethane Enamel
Connector	N Female

Environmental

Temperature (Operating)	-61°C (-77°F) to +74°C (+165°F)
Altitude	-1800 to 70,000 ft.



A HEICO COMPANY

Website: www.sensorantennas.com

Phone: 818-341-5366