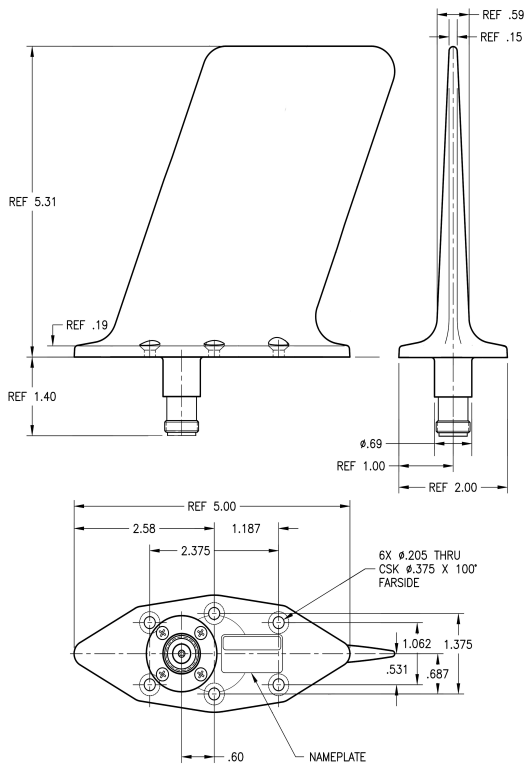


UHF S65-1217



Please Note: For REFERENCE ONLY
Contact Sensor Systems for latest drawing

Description

S65-1217: Vertically polarized, swept-back UHF blade. Conforms to AT-896/A specs. Designed for military command systems frequencies of 350-450 MHz. High strength aluminum die casting. Intended for speeds up to Mach. 2.0 with low drag. DC grounded to provide lightning protection. Connector is forward mounted. Six-hole bolt pattern.

The antenna meets military applications.

Federal & Military Certifications:

AT-896/A, MIL-A-27164, MIL-HDBK-5400 and MIL-STD-810B.

Specifications

Electrical

Frequency	390-450 MHz
VSWR	390-450 MHz: ≤2.0:1 402-420 MHz: ≤1.7:1
Polarization	Vertical
Pattern	1/4 Wave Monopole
Impedance	50 Ω
Power	100 Watts Average

Mechanical

Weight	11 oz.
Height	5.31 in.
Length	5.00 in.
Material	A380 Aluminum Alloy Casting
Finish	Skydrol Resistant Enamel
Connector	N Female
Drag	Mach .85 @ 35,000 ft. = 0.6 lbs.

Environmental

Temperature	-54°C (-65°F) to +85°C (+185°F)
Altitude	55,000 ft.



A HEICO COMPANY

Website: www.sensorantennas.com

Phone: 818-341-5366