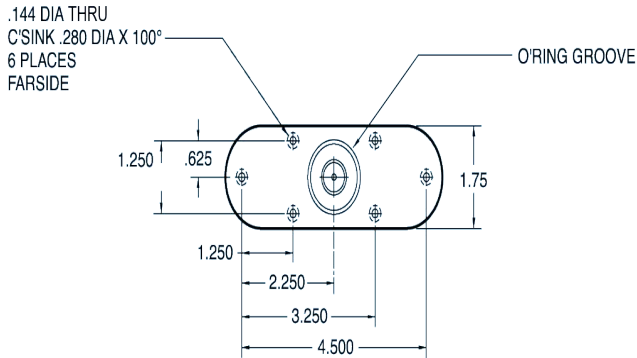
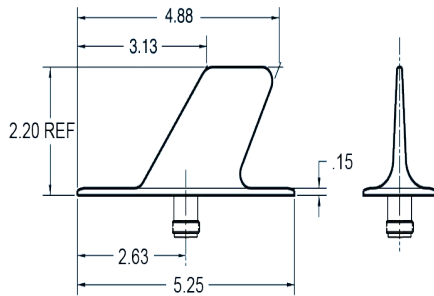


L-Band S65-5366-116L



Please Note: For REFERENCE ONLY
Contact Sensor Systems for latest drawing

Description

S65-5366-116L: Rugged and highly efficient L-Band antenna to be used with transponder, DME, ATC, IFF, TACAN and MODE-S applications. The antenna is constructed from an all-metal stainless steel and is DC grounded to protect from lightning.

The antenna features a 6-hole bolt pattern with an N female connector and an o-ring seal.

The antenna is ideal for commercial, military and general aviation.

Federal & Military Certifications: FAA TSO C66a and C74c, MIL-A-25708A, MIL-A-25730B, MIL-A-7772B, MIL-E-5272C, MIL-E-5400H, and MIL-STD-810B.

Specifications

Electrical

Frequency	960-1220 MHz
VSWR	1000-1100: $\leq 1.40:1$ 960-1220: $\leq 1.70:1$
Polarization	Vertical
Pattern	Omnidirectional in Azimuth Cosinusoidal in Elevation
Impedance	50 Ω
Power	250 Watts Continuous 2500 Watts Peak

Mechanical

Weight	8 oz.
Height	2.20 in.
Length	5.19 in.
Width	1.73 in.
Material	Stainless Steel
Finish	Skydrol Resistant Polyurethane Enamel
Connector	N Female

Environmental

Temperature	-73°C (-100°F) to +204°C (+400°F)
Altitude	70,000 ft.



A HEICO COMPANY

Website: www.sensorantennas.com

Phone: 818-341-5366