

MIMO WiFi/LTE S65-5366-703



Description

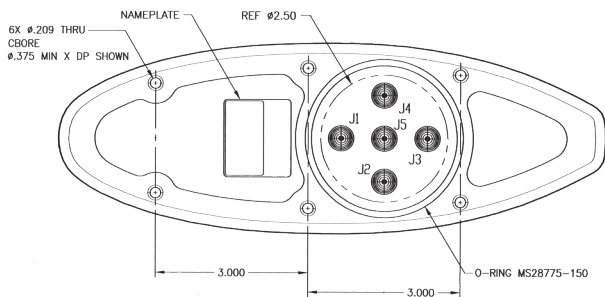
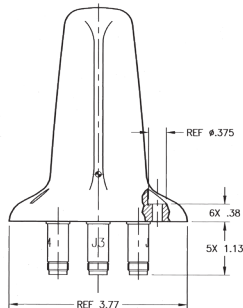
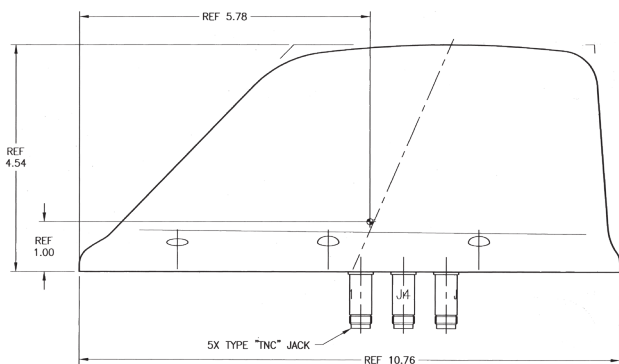
A multi-band MIMO, short blade antenna that features a total of five port connectors. Three of the connectors cover the WiFi frequencies and the remaining two connectors cover the LTE frequencies.

The **S65-5366-703** antenna's vertically polarized radiating elements are strategically located to provide optimum performance of over-the-air WiFi and LTE signals; while minimizing coupling effects.

The composite radome provides protection against rain, ice and lightning strikes. Its six hole mounting configuration design is ideal for commercial aircraft installations.

Federal & Military Certifications:

DO-160D/G, MIL-A-7772B, MIL-HDBK-5400, MIL-E-5272C and MIL-STD-810D.



Please Note: For REFERENCE ONLY
Contact Sensor Systems for latest drawing

Specifications

Electrical

Frequency	WiFi (J1, J2, & J5): 2400-2500 MHz and 4900-5900 MHz LTE (J3 & J4): 700-2700 MHz
VSWR	WiFi (J1, J2, & J5): $\leq 3.0:1$ LTE (J3 & J4): $\leq 3.0:1$

Polarization	Vertical
Pattern	Omnidirectional
Impedance	50 Ω
Power	50 Watts Continuous

Mechanical

Weight	1.5 lbs.
Height	4.54 in.
Length	10.76 in.
Width	3.77 in.
Material	6061-T6 Aluminum Alloy / Thermoset Plastic
Finish	Skydrol Resistant Polyurethane Enamel
Connector	TNC Female (5)

Environmental

Temperature (Operating)	-55°C (-67°F) to +85°C (+185°F)
Altitude	55,000 ft.



A HEICO COMPANY

Website: www.sensorantennas.com

Phone: 818-341-5366