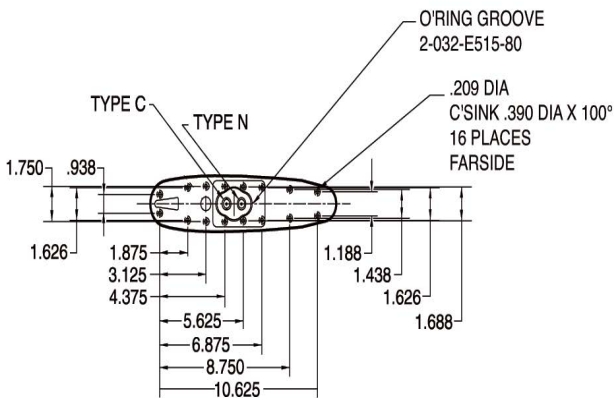
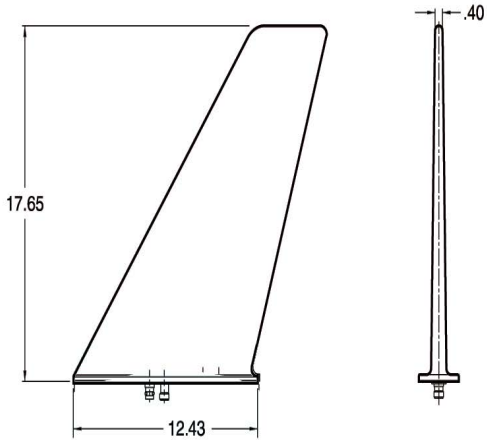


VHF/UHF S65-8262-307



Please Note: For REFERENCE ONLY
Contact Sensor Systems for latest drawing

Description

S65-8262-307: All metal, DC grounded to provide lightning protection and eliminate "P" static. VHF/UHF frequency ranges of 116 to 152 MHz and 225 to 445 MHz are combined in a single antenna.

The antenna meets AT-41108 specifications and is ideal for turbine power aircraft.

Federal & Military Certifications: FAA TSO C-37b, C38b, and C59, MIL-A-6271A, MIL-A-7772B (ASG), MIL-A-9094C, MIL-E-5272C and MIL-E-5400.

Specifications

Electrical

Frequency	VHF: 116-152 MHz UHF: 225-400 MHz
VSWR	VHF: $\leq 2.0:1$ UHF: $\leq 2.6:1$
Polarization	Vertical
Patterns	Omnidirectional in Azimuth Cosinusoidal in Elevation
Impedance	50 Ω
Power	VHF/UHF: 1000 Watts Peak
Isolation	VHF: 116-136 MHz ≥ 20 dB 136-152 MHz ≥ 15 dB UHF: 225-240 MHz ≥ 15 dB 240-400 Mhz ≥ 20 dB

Mechanical

Weight	5.0 lbs.
Height	17.65 in.
Length	12.43 in.
Width	2.70 in.
Material	A-356 T61 Aluminum Alloy
Finish	Skydrol Resistant Polyurethane Enamel
Connector	VHF: C Female UHF: N Female
Hot Air Duct	400°F Continuous, 500°F @ 32°F

Environmental

Temperature	-73°C (-100°F) to +149°C (+300°F)
Altitude	60,000 ft.



A HEICO COMPANY

Website: www.sensorantennas.com

Phone: 818-341-5366