

# VHF S65-8280-41



## Description

**S65-8280-41:** An all metal DC grounded VHF Communications Antenna for General Aviation and Corporate aircraft, with speeds up to 600 miles per hour. The all metal design eliminates "P" static and provides for a low weight, low drag, rugged package. Six hole bolt pattern, interchangeable with Chelton 16-21B and Dayton Granger VH10-347-1.

**Federal & Military Certifications:** FAA TSO C37b, C38b, RTCA/DO-160c, MIL-STD-810. MIL-E-5400. MIL-A-7772, MIL-A-6271, MIL-STD 46

## Specifications

### Electrical

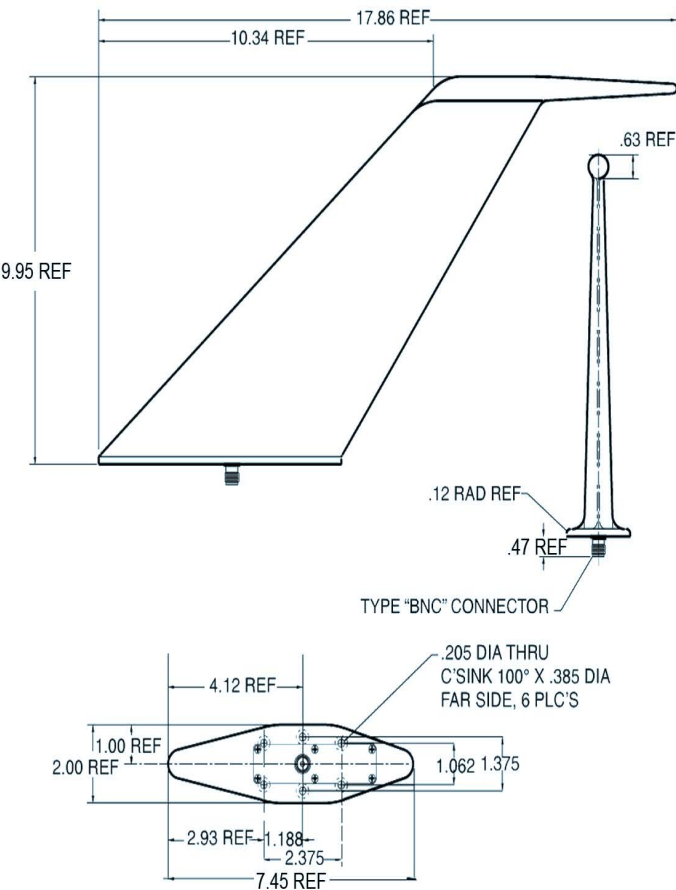
Frequency	118-137 MHz
VSWR	≤ 2.5:1
Polarization	Vertical
Patterns	1/4 Wave Monopole
Impedance	50 Ω
Power	40 Watts

### Mechanical

Weight	1.7 lb.
Height	9.95 in.
Length	7.45 in.
Width	2.00 in.
Material	A-356 T-61 Aluminum Alloy Gloss
Finish	Gloss White
Connector	BNC Female
Drag	Mach .85 @ 35,000 ft. = 0.7 lbs.

### Environmental

Temperature	-54°C (-65°F) to +71°C (+160°F)
Altitude	55,000 ft.



Please Note: For REFERENCE ONLY  
Contact Sensor Systems for latest drawing



A HEICO COMPANY

Website: [www.sensorantennas.com](http://www.sensorantennas.com)

Phone: 818-341-5366