

GPS L1 Antenna S67-1575-134



Description

S67-1575-134: ARINC 743A active antenna, low profile, with advanced radome design and material, offers enhanced protection against rain, ice. 33 dB gain, low-noise, wide bandwidth with specifiable filtering. Accepts +4 to +24 VDC and contains internal voltage regulator. DC bias is provided through coax connector. Meets HIRF/EMI, DO-228 Change 1 and TSO C144 requirements for all critical level MMR installations.

FEDERAL & MILITARY SPECS: FAA TSO C129a, C144, DO-160, DO-228, MIL-STD-810, ARINC 743A, MIL-E-5400.

Specifications

Electrical

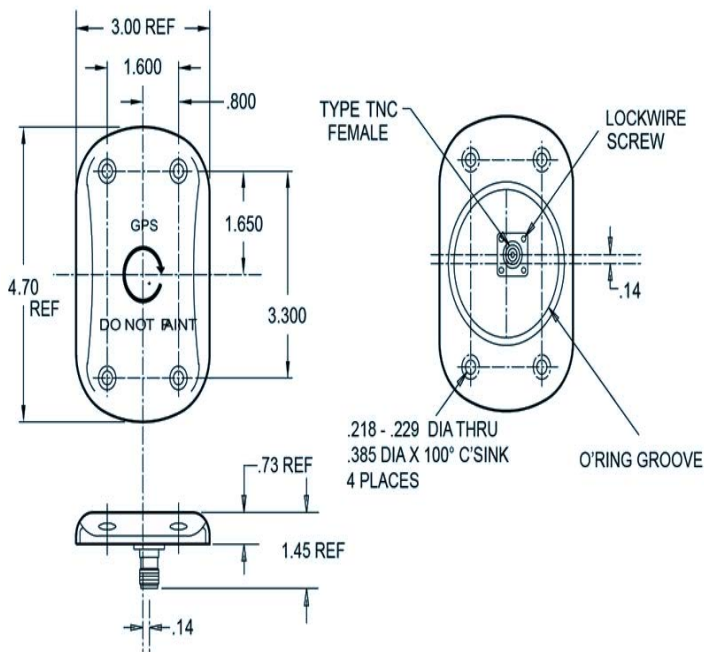
Frequency	1575.42 ± 10 MHz
VSWR	≤ 2.0:1
Polarization	RCHP
Axial Ratio	≤ 3.0 dB @ Zenith
Gain	-1.0 dBic 0° ≤ Θ ≤ 75°
	-2.5 dBic 75° ≤ Θ ≤ 80°
	-4.5 dBic 80° ≤ Θ ≤ 85°
	7.5 dBic Θ = 90° @ Horizon
Impedance	50 Ω
Gain (PreAmp)	33 ± 3 dB
Power	1 Watt
Supply Voltage	+4 to +24 VDC @ 60 mA MAX

Mechanical

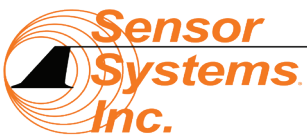
Weight	9 oz.
Height	0.73 in.
Width	3.0 in.
Length	4.70 in.
Finish	Skydrol Resistant Enamel
Material	6061-T6 Aluminum Alloy / Thermoset Plastic
Connector	TNC Female

Environmental

Temperature	-55 ° C (-67°F) to 85 C° (+185°F)
Altitude	55,000 ft.



Please Note: For REFERENCE ONLY
Contact Sensor Systems for latest drawing



A HEICO COMPANY

Website: www.sensorantennas.com

Phone: 818-341-5366