

GPS WAAS L1 Antenna **S67-1575-146**



Description

S67-1575-146: WAAS LPV GPS L1 antenna with 29.5 dB gain low-noise amplifier in an ARINC 743A configuration. Meets HIRF/EMI and TSO C190 requirements for all critical level MMR installations. The antenna features a state-of-the-art amplifier that uses advanced technologies to provide high GPS signal levels with extremely low noise operation for fast satellite installation acquisition. The amplifier's complex filtering network rejects adjacent/out of band signals that interfere with the GPS operating frequency. The antenna is capable of operating with voltages between +4 to +24 VDC, due to the amplifier's advanced voltage regulator. The antenna consumes less than 50 mA. DC bias is provided thru the coaxial connector. Advanced radome material provides enhanced protection against rain, ice and lightning strikes.

FEDERAL & MILITARY SPECS: FAA TSO C190, DO-160D/E/G, DO-301, MIL-HDBK-5400, MIL-STD-810D, SAE ARP5416, and ARINC 743A.

Specifications

Electrical

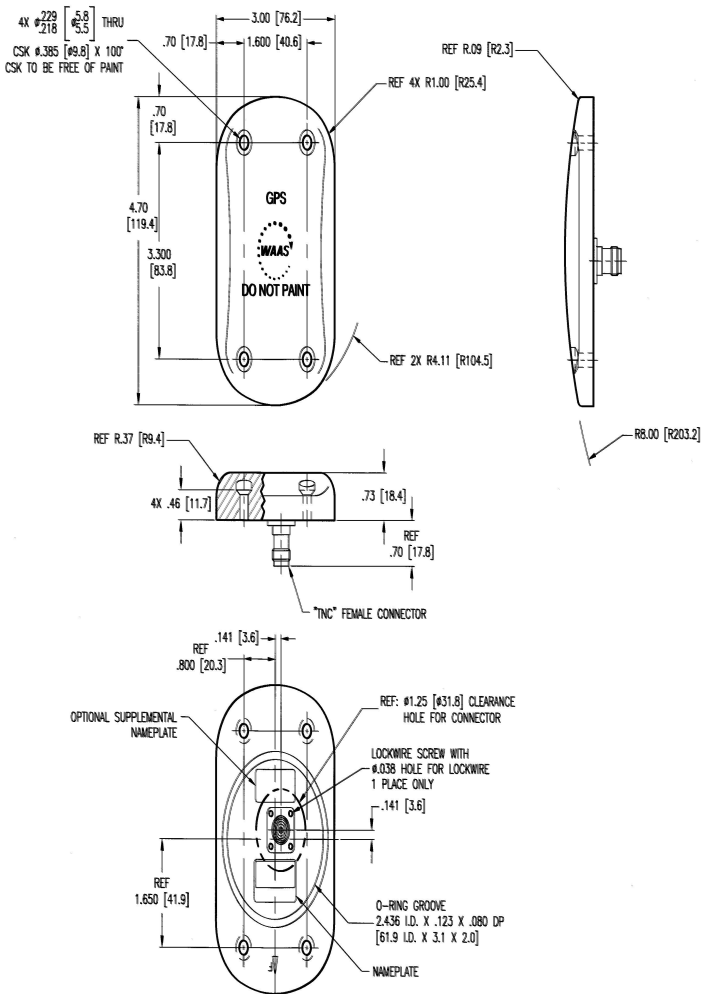
Frequency	1575.42 ± 10 MHz
VSWR	≤ 1.5:1
Polarization	RCHP
Axial Ratio	≤ 3.0 dB @ Zenith
Gain (Antenna)	-1.0 dBic 0° ≤ Θ ≤ 75°
	-2.5 dBic 75° ≤ Θ ≤ 80°
	-4.5 dBic 80° ≤ Θ ≤ 85°
	-7.5 dBic Θ = 90° @ Horizon
Polarization	50 Ω
G/T ± 2 MHz	-28.6 dB/K @ 5° ABOVE THE HORIZON @ 70°C
Gain (Preamp)	29.5 ± 3 dB
Voltage	+4 to +24 VDC @ 60 mA MAX

Mechanical

Weight	10 oz. [283 g]
Height	.73 in. [18.4 mm]
Width	4.70 in. [119.4 mm]
Length	3.0 in. [76.2 mm]
Finish	Skydrol Resistant Polyurethane Enamel
Material	6061-T6 Aluminum Alloy / Thermoset Plastic
Connector	TNC Female

Environmental

Temperature	-55 ° C (-67°F) to 70 C° (+158°F)
Altitude	-100 to 55,000 ft.



Please Note: For REFERENCE ONLY
Contact Sensor Systems for latest drawing



A HEICO COMPANY

Website: www.sensorantennas.com

Phone: 818-341-5366