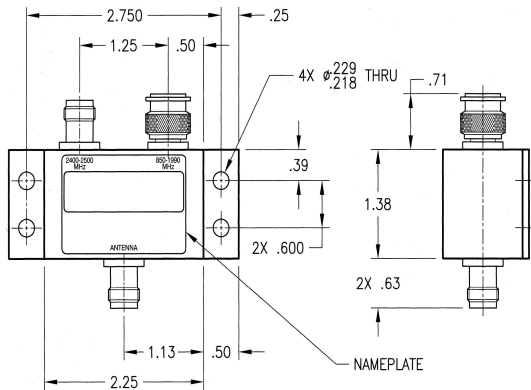
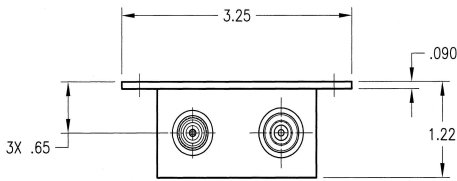


GSM/WLAN Diplexer SSPD-113-49



Please Note: For REFERENCE ONLY
Contact Sensor Systems for latest drawing

Description

SSPD-113-49: Diplexer operates at 850 to 1990 MHz and 2400 to 2500 MHz, allowing simultaneous use of a single antenna between GSM and wireless LAN type devices. The diplexer exhibits very low insertion loss and has excellent isolation between frequency bands. Can be paired with Sensor Systems telemetry and wireless antennas such as the S65-5366-715 and the S65-5366-716.

FEDERAL & MILITARY SPECS: IEEE 802.11 b/g, GSM (Global System for Mobile Communications), MIL-STD-810, MIL-HDBK-5400, MIL-E-5272.

Specifications

Electrical

Frequency	850 - 1990 MHz 2400 - 2500 MHz
VSWR	≤ 1.8:1
Impedance	50 Ω
Insertion Loss	1.0 dB Typical
Isolation	850 - 1800 MHz: >20.0 dB 1800 - 1990 MHz: >15.0 dB 2400 - 2500 MHz: >20.0 dB
Power	850 - 1990 MHz: 6 Watts CW (Max) 2400 - 2500 MHz: 1 Watt CW (Max)

Mechanical

Weight	4 oz.
Height	1.18 in.
Length	3.25 in.
Width	1.38 in.
Finish	Blue paint per Fed-STD-595 #25109
Material	6061-T6 Alum Alloy
Connector	TNC Female (2) TNC Male (1)

Environmental

Temperature	-40°C (-40°F) to +85°C (+185°F)
Altitude	70,000 ft.



A HEICO COMPANY

Website: www.sensorantennas.com

Phone: 818-341-5366